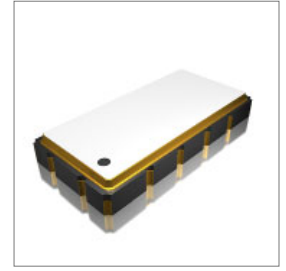


Features
<ul style="list-style-type: none"> Frequencies from 70MHz to 140MHz Low amplitude ripple Electrostatic sensitive device Compatible with EPCOS, TDK, etc

Applications
<ul style="list-style-type: none"> Industry Wireless Communication RF Filters for Cellular Phone



Part Numbering Guide

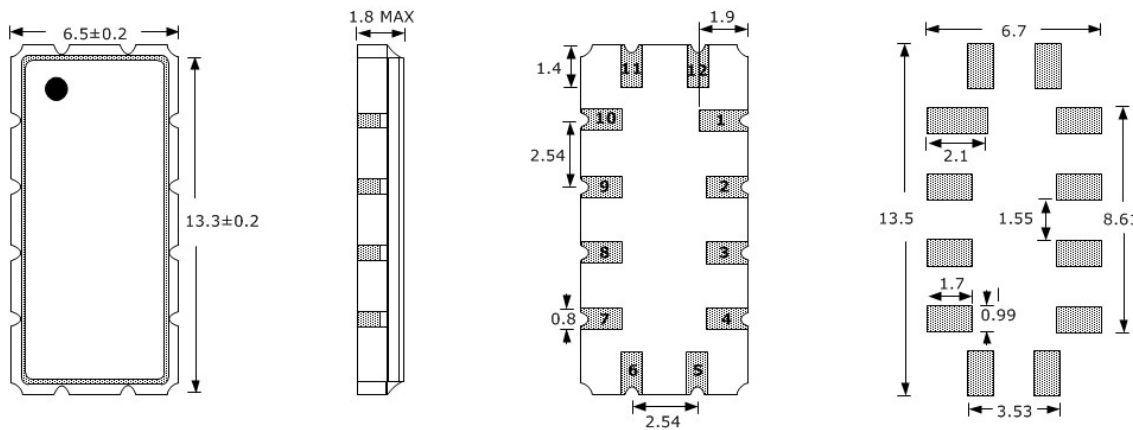
S FL SI 13D6F 8A 10A - 70M



* Where letters denote decimal location (A=0, B=1, C=2, etc.); e.g. B5=0.15, 3A5=3.05, 9A=9.0

Electrical Parameters (at 25 °C)	Units	Minimum	Typical	Maximum	Remarks
Center Frequency	MHz	70		140	See part number reference (page 3).
Passband width	MHz	0.02		76	See part number reference (page 3).
Insertion Loss	dB	3		25	See part number reference (page 3).
DC voltage(VDC)	V		3.0		
Operating Temperature	°C	-40		85	
Storage Temperature	°C	-55		125	
Maximum Input Power	dBm		15		
Terminating Source Impedance	Ω		50		
Terminating Load Impedance	Ω		50		

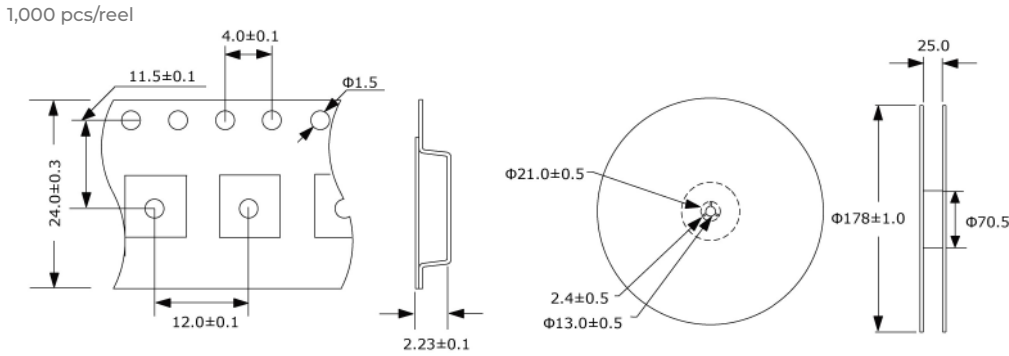
Outline Drawing



PIN #	Function
1	INPUT
3	OUTPUT
2, 4	GROUND

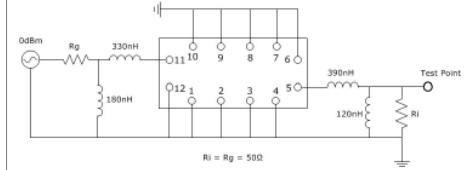
All dimensions are in millimeters (mm) unless otherwise noted. Drawings are not to scale.

Tape and Reel Dimensions



All dimensions are in millimeters (mm) unless otherwise noted. Drawings are not to scale.

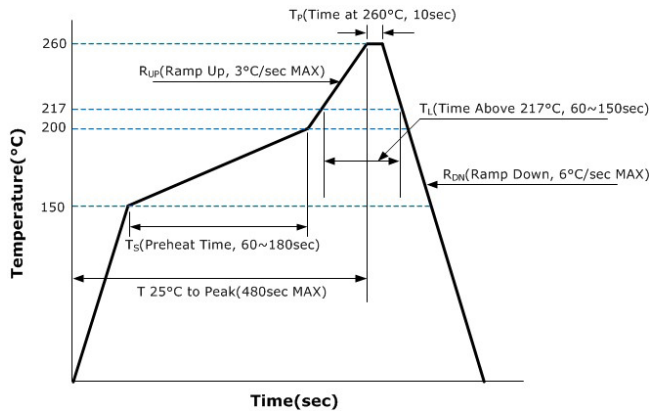
Test Circuit



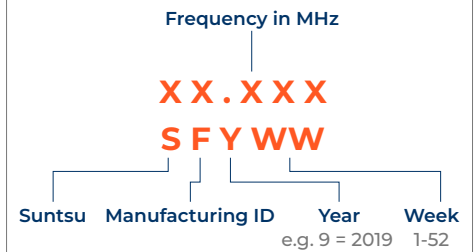
Environmental & Mechanical Specifications

High Temperature Storage	85°C (GRADE3), 1000h, unpowered
Temperature Cycling	-40°C / 85°C (GRADE3), 1000 cycles. Dwell time :15min. Transition time: < 20 s
Humidity Test	85°C/85% relative humidity, 1000h voltage acc. Data sheet [here: 0 V]
Operational Life	Nominal RF power and maximum temperature acc. to data sheet. 85°C, 1000h
External Visual	Inspection acc. to MIL-STD-883 meth. 2009
Physical Dimension	Verification acc. to IEC 862-1
Mechanical Shock	30000 m/s ² , 0.2ms, 1/2 Sin, 3x/direction
Vibration Test	10 to 2000 Hz, 0,75 mm ampl., 100 m/s ²
Electrostatic Discharge	HBM : 1.5kOhm, 100pF, 1pulse +/- [here : all withstand 225VHBM]
Solderability	Solderability Solder reflow method (Pb-free), 230°C -0/+5°C, 10s (after preconditioning 155°C, 16h)
Resistance to Soldering Heat	255°C -0/+5°C, 20s

Reflow Profile



Marking



Part Number Reference Begins on Next Page

Part Number Reference	Center Frequency (MHz)	Bandwidth (MHz)	Insert Loss (dB)	Package Code
SFLSI-13D6F-1C12A-70M	70	1.2	12	13D6F
SFLSI-13D6F-1G13A-70M	70	1.6	13	13D6F
SFLSI-13D6F-2E7A-70M	70	2.4	7	13D6F
SFLSI-13D6F-10A13F-70M	70	10	13.5	13D6F
SFLSI-13D6F-14A8A-70M	70	14	8	13D6F
SFLSI-13D6F-32A10A-70M	70	32	10	13D6F
SFLSI-13D6F-60A10A-70M	70	60	10	13D6F
SFLSI-13D6F-15G10A-70M	70	15.6	10	13D6F
SFLSI-13D6F-17C7A-70M	70	17.2	7	13D6F
SFLSI-13D6F-26A10A-70M	70	26	10	13D6F
SFLSI-13D6F-27C12A-70M	70	27.2	12	13D6F
SFLSI-13D6F-80A16A-70M	70	80	16	13D6F
SFLSI-13D6F-80A15A-70M	70	80	15	13D6F
SFLSI-13D6F-152A20A-70M	70	152	20	13D6F
SFLSI-13D6F-148A20A-70M	70	148	20	13D6F
SFLSI-13D6F-148A22A-70M	70	148	22	13D6F
SFLSI-13D6F-152A21A-70M	70	152	21	13D6F
SFLSI-13D6F-15A-100M	100	0.8	5	13D6F
SFLSI-13D6F-7A5A-100M	100	7	5	13D6F
SFLSI-13D6F-14A3A-140M	140	14	3	13D6F
SFLSI-13D6F-30A25A-140M	140	30	25	13D6F