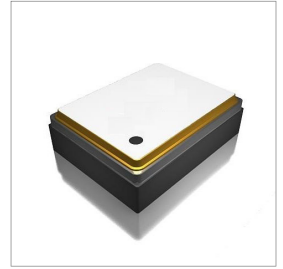


| Features |
|--|
| <ul style="list-style-type: none"> Frequencies from 719MHz to 2017.5MHz Low amplitude ripple RoHS compliance Electrostatic sensitive device Compatible with EPCOS, TDK, etc |

| Applications |
|---|
| <ul style="list-style-type: none"> Automotive and Telematics Wireless Communication RF Filters for Cellular Phone LTE |



Part Numbering Guide

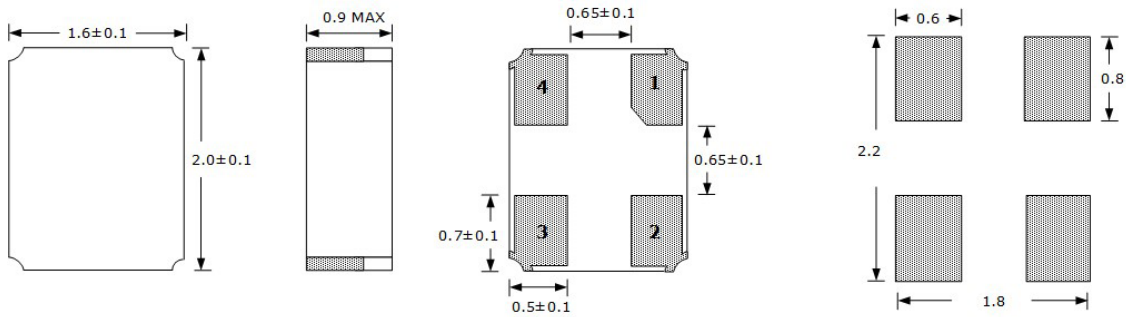
S FL SR 2AIG 5A 3C - 719M



* Where letters denote decimal location (A=0, B=1, C=2, etc.); e.g. B5=0.15, 3A5=3.05, 9A=9.0

| Electrical Parameters (at 25 °C) | Units | Minimum | Typical | Maximum | Remarks |
|----------------------------------|-------|---------|---------|---------|-------------------------------------|
| Center Frequency | MHz | 719 | | 2017.5 | See part number reference (page 2). |
| Passband width | MHz | 2.0 | | 26 | See part number reference (page 2). |
| Insertion Loss | dB | 1.1 | | 4.0 | See part number reference (page 2). |
| DC voltage(VDC) | V | | 5.0 | | |
| Operating Temperature | °C | -40 | | 85 | |
| Storage Temperature | °C | -55 | | 125 | |
| Maximum Input Power | dBm | | 15 | | |
| Terminating Source Impedance | Ω | | 50 | | |
| Terminating Load Impedance | Ω | | 50 | | |

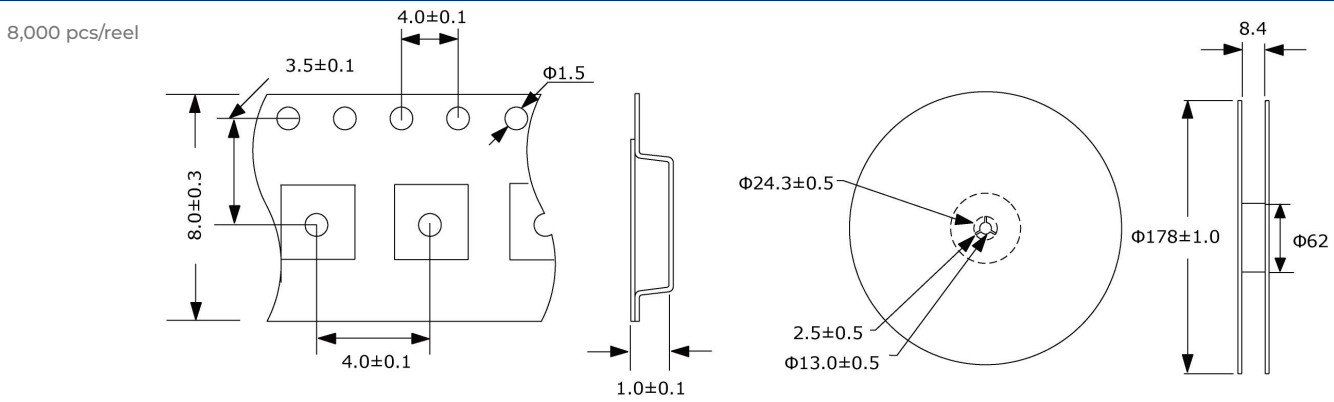
Outline Drawing



| PIN # | Function |
|---------|----------|
| 1 | INPUT |
| 4 | OUTPUT |
| 2, 3, 5 | GROUND |

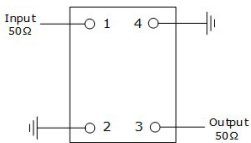
All dimensions are in millimeters (mm) unless otherwise noted. Drawings are not to scale.

Tape and Reel Dimensions

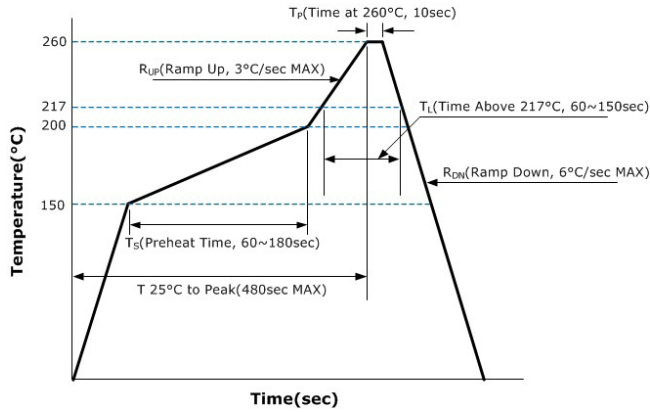


All dimensions are in millimeters (mm) unless otherwise noted. Drawings are not to scale.

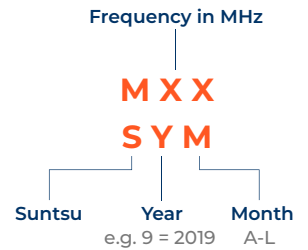
Test Circuit



Reflow Profile



Marking



Month

| | | | | | | | | | | | |
|-----|-----|-----|-----|-----|-----|-----|-----|-----|-----|-----|-----|
| Jan | Feb | Mar | Apr | May | Jun | Jul | Aug | Sep | Oct | Nov | Dec |
| A | B | C | D | E | F | G | H | I | J | K | L |

| Part Number Reference | Center Frequency (MHz) | Bandwidth (MHz) | Insert Loss (dB) | Package Code |
|--------------------------|------------------------|-----------------|------------------|--------------|
| SFLSA-2A1G-5A3C-719M | 719 | 5 | 3.2 | 2A1G |
| SFLSA-2A1G-10A3C-872M | 872 | 10 | 3.2 | 2A1G |
| SFLSA-2A1G-19A4A-908.42M | 908.42 | 19 | 4.0 | 2A1G |
| SFLSA-2A1G-26A3A-915M | 915 | 26 | 3.0 | 2A1G |
| SFLSA-2A1G-6A3F-915M | 918 | 6 | 3.5 | 2A1G |
| SFLSA-2A1G-2A1G-1575.42M | 1575.42 | 2 | 1.6 | 2A1G |
| SFLSA-2A1G-2A3F-1575.42M | 1575.42 | 2 | 3.5 | 2A1G |
| SFLSA-2A1G-2E1J-1575.42M | 1575.42 | 2.4 | 1.9 | 2A1G |
| SFLSA-2A1G-2E1B-1575.42M | 1575.42 | 2.4 | 1.1 | 2A1G |