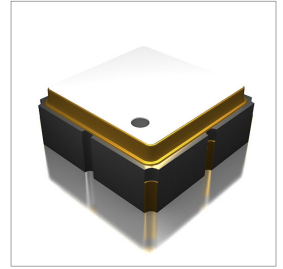


| Features |
|--|
| <ul style="list-style-type: none"> Frequencies from 315MHz to 2655MHz Low amplitude ripple RoHS compliance Electrostatic sensitive device Compatible with EPCOS, TDK, etc |

| Applications |
|--|
| <ul style="list-style-type: none"> Industry Wireless Communication RF Filters |



Part Numbering Guide

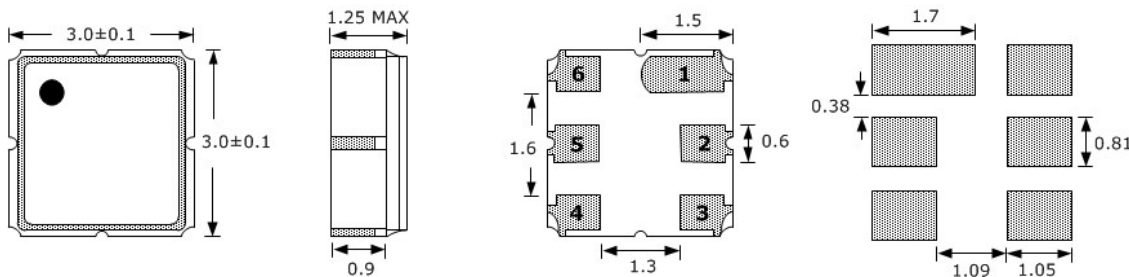
S FL SR 3A3A 20A 2G - 915M



* Where letters denote decimal location (A=0, B=1, C=2, etc.); e.g. B5=0.15, 3A5=3.05, 9A=9.0

| Electrical Parameters (at 25 °C) | Units | Minimum | Typical | Maximum | Remarks |
|----------------------------------|-------|---------|---------|---------|--|
| Center Frequency | MHz | 315 | | 2655 | See part number reference (pages 3-5). |
| Passband width | MHz | .15 | | 20 | See part number reference (page 3-5). |
| Insertion Loss | dB | 1.0 | | 4.5 | See part number reference (page 3-5). |
| DC voltage(VDC) | V | | 3.0 | | |
| Operating Temperature | °C | -40 | | 85 | |
| Storage Temperature | °C | -55 | | 125 | |
| Maximum Input Power | dBm | | 15 | | |
| Terminating Source Impedance | Ω | | 50 | | |
| Terminating Load Impedance | Ω | | 50 | | |

Outline Drawing

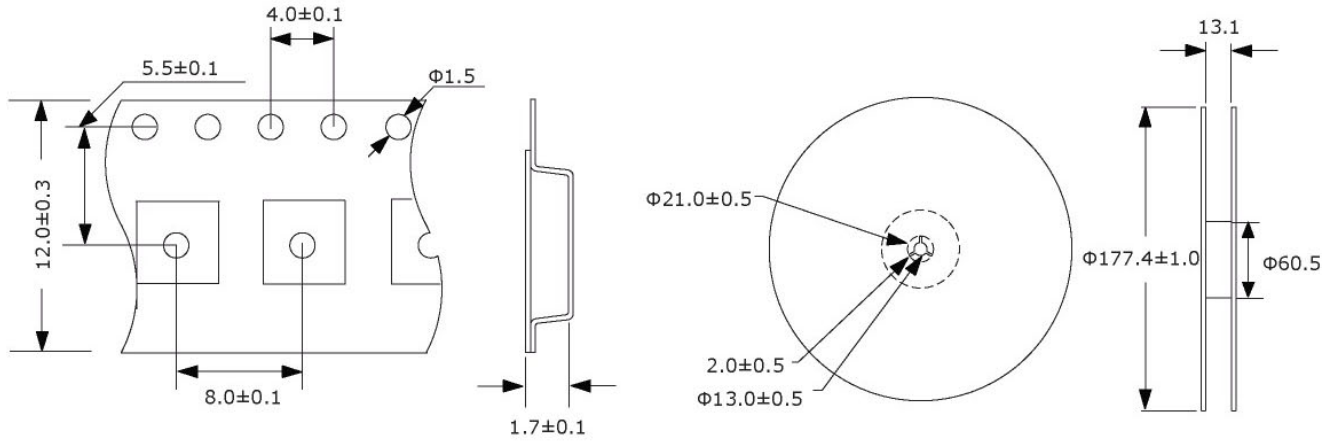


| PIN # | Function |
|------------|----------|
| 2 | INPUT |
| 5 | OUTPUT |
| 1, 3, 4, 6 | GROUND |

All dimensions are in millimeters (mm) unless otherwise noted. Drawings are not to scale.

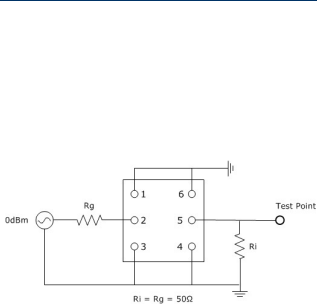
Tape and Reel Dimensions

1,000 pcs/reel

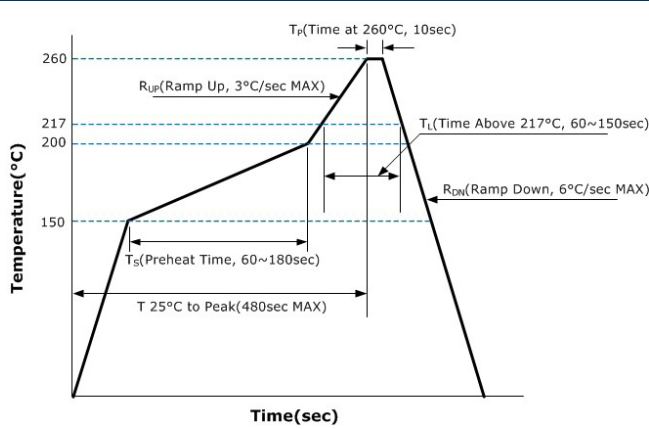


All dimensions are in millimeters (mm) unless otherwise noted. Drawings are not to scale.

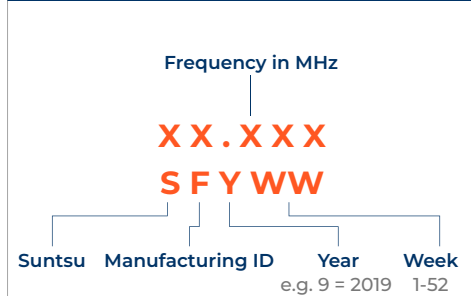
Test Circuit



Reflow Profile



Marking



Part Number Reference Begins on Next Page

| Part Number Reference | Center Frequency (MHz) | Bandwidth (MHz) | Insert Loss (dB) | Package Code |
|-------------------------|------------------------|-----------------|------------------|--------------|
| SFLSR-3A3A-B51F-315M | 315 | 0.15 | 1.5 | 3A3A |
| SFLSR-3A3A-B51E-315M | 315 | 0.15 | 1.4 | 3A3A |
| SFLSR-3A3A-B51F-433.92M | 433.92 | 0.15 | 1.5 | 3A3A |
| SFLSR-3A3A-B51E-433.92M | 433.92 | 0.15 | 1.4 | 3A3A |
| SFLSR-3A3A-10A2A-477.5M | 477.5 | 10 | 2 | 3A3A |
| SFLSR-3A3A-6A1J-477.6M | 477.6 | 6 | 1.9 | 3A3A |
| SFLSR-3A3A-8A2A-480M | 480 | 8 | 2 | 3A3A |
| SFLSR-3A3A-40A2A-480M | 480 | 40 | 2 | 3A3A |
| SFLSR-3A3A-8A2A-490M | 490 | 8 | 2 | 3A3A |
| SFLSR-3A3A-10A2C-500M | 500 | 10 | 2.2 | 3A3A |
| SFLSR-3A3A-30A2A-507.5M | 507.5 | 30 | 2 | 3A3A |
| SFLSR-3A3A-50A1H-675M | 675 | 50 | 1.7 | 3A3A |
| SFLSR-3A3A-24A3B-740M | 740 | 24 | 3.1 | 3A3A |
| SFLSR-3A3A-100A3A-750M | 750 | 100 | 3 | 3A3A |
| SFLSR-3A3A-10A2I-750M | 750 | 10 | 2.8 | 3A3A |
| SFLSR-3A3A-50A2E-752.5M | 752.5 | 50 | 2.4 | 3A3A |
| SFLSR-3A3A-36A1I-752.5M | 752.5 | 36 | 1.8 | 3A3A |
| SFLSR-3A3A-8A3B-823M | 823 | 8 | 3.1 | 3A3A |
| SFLSR-3A3A-20A2E-829.8M | 829.8 | 20 | 2.4 | 3A3A |
| SFLSR-3A3A-12A2E-830M | 830 | 12 | 2.4 | 3A3A |
| SFLSR-3A3A-20A2G-835M | 835 | 20 | 2.6 | 3A3A |
| SFLSR-3A3A-50A2E-836.5M | 836.5 | 50 | 2.4 | 3A3A |
| SFLSR-3A3A-10A2F-842.5M | 842.5 | 10 | 2.5 | 3A3A |
| SFLSR-3A3A-4A2I-864M | 864 | 4 | 2.8 | 3A3A |
| SFLSR-3A3A-8A3C-868M | 868 | 8 | 3.2 | 3A3A |
| SFLSR-3A3A-D1A-868.35M | 868.35 | 0.3 | 1 | 3A3A |
| SFLSR-3A3A-4A2E-869M | 869 | 4 | 2.4 | 3A3A |
| SFLSR-3A3A-20A2D-875M | 875 | 20 | 2.3 | 3A3A |
| SFLSR-3A3A-20A2D-876M | 876 | 20 | 2.3 | 3A3A |
| SFLSR-3A3A-50A2D-881.5M | 881.5 | 50 | 2.3 | 3A3A |
| SFLSR-3A3A-8A2F-887M | 887 | 8 | 2.5 | 3A3A |
| SFLSR-3A3A-48A2E-897M | 897 | 48 | 2.4 | 3A3A |
| SFLSR-3A3A-70A2D-897.5M | 897.5 | 70 | 2.3 | 3A3A |
| SFLSR-3A3A-70A1J-897.5M | 897.5 | 70 | 1.9 | 3A3A |
| SFLSR-3A3A-48A2C-899M | 899 | 48 | 2.2 | 3A3A |
| SFLSR-3A3A-48A2A-899M | 899 | 40 | 2 | 3A3A |
| SFLSR-3A3A-20A2E-899M | 899 | 20 | 2.4 | 3A3A |
| SFLSR-3A3A-60A2F-900M | 900 | 60 | 2.5 | 3A3A |
| SFLSR-3A3A-60A2H-902.5M | 902.5 | 60 | 2.7 | 3A3A |
| SFLSR-3A3A-50A2F-902.5M | 902.5 | 50 | 2.5 | 3A3A |

| Part Number Reference | Center Frequency (MHz) | Bandwidth (MHz) | Insert Loss (dB) | Package Code |
|--------------------------|------------------------|-----------------|------------------|--------------|
| SFLSR-3A3A-50A2C-902.5M | 902.5 | 50 | 2.2 | 3A3A |
| SFLSR-3A3A-20A2G-915M | 915 | 20 | 2.6 | 3A3A |
| SFLSR-3A3A-52A2E-915M | 915 | 52 | 2.4 | 3A3A |
| SFLSR-3A3A-8A2H-932M | 932 | 8 | 2.7 | 3A3A |
| SFLSR-3A3A-48A2F-942M | 942 | 48 | 2.5 | 3A3A |
| SFLSR-3A3A-48A2A-942M | 942 | 48 | 2 | 3A3A |
| SFLSR-3A3A-70A2C-942.5M | 942.5 | 70 | 2.2 | 3A3A |
| SFLSR-3A3A-40A1I-944M | 944 | 40 | 1.8 | 3A3A |
| SFLSR-3A3A-20A2E-944M | 944 | 20 | 2.4 | 3A3A |
| SFLSR-3A3A-60A2H-945M | 945 | 60 | 2.7 | 3A3A |
| SFLSR-3A3A-50A2D-947.5M | 947.5 | 50 | 2.3 | 3A3A |
| SFLSR-3A3A-50A2B-947.5M | 947.5 | 50 | 2.1 | 3A3A |
| SFLSR-3A3A-40A1H-1176M | 1176 | 40 | 1.7 | 3A3A |
| SFLSR-3A3A-40A1G-1207M | 1207 | 40 | 1.6 | 3A3A |
| SFLSR-3A3A-80A2J-1218M | 1218 | 80 | 2.9 | 3A3A |
| SFLSR-3A3A-124A3I-1228M | 1228 | 124 | 3.8 | 3A3A |
| SFLSR-3A3A-40A1I-1228M | 1228 | 40 | 1.8 | 3A3A |
| SFLSR-3A3A-160A3A-1237M | 1237 | 160 | 3 | 3A3A |
| SFLSR-3A3A-40A1J-1240M | 1240 | 40 | 1.9 | 3A3A |
| SFLSR-3A3A-16A3F-1240M | 1240 | 16 | 3.5 | 3A3A |
| SFLSR-3A3A-16A3F-1246M | 1246 | 16 | 3.5 | 3A3A |
| SFLSR-3A3A-50A2G-1252M | 1252 | 50 | 2.6 | 3A3A |
| SFLSR-3A3A-40A1I-1268M | 1268 | 40 | 1.8 | 3A3A |
| SFLSR-3A3A-40A1J-1278M | 1278 | 40 | 1.9 | 3A3A |
| SFLSR-3A3A-40A4F-1550M | 1550 | 40 | 4.5 | 3A3A |
| SFLSR-3A3A-42A2D-1561M | 1561 | 42 | 2.3 | 3A3A |
| SFLSR-3A3A-42A4A-1561M | 1561 | 42 | 4 | 3A3A |
| SFLSR-3A3A-36A1J-1568M | 1568 | 36 | 1.9 | 3A3A |
| SFLSR-3A3A-60A2A-1572M | 1572 | 60 | 2 | 3A3A |
| SFLSR-3A3A-4A2A-1575M | 1575 | 4 | 2 | 3A3A |
| SFLSR-3A3A-100A2E-1584M | 1584 | 100 | 2.4 | 3A3A |
| SFLSR-3A3A-100A1J-1584M | 1584 | 100 | 1.9 | 3A3A |
| SFLSR-3A3A-118A2G-1585M | 1585 | 118 | 2.6 | 3A3A |
| SFLSR-3A3A-40A2A-1602M | 1602 | 40 | 2 | 3A3A |
| SFLSR-3A3A-40A4F-1615M | 1615 | 40 | 4.5 | 3A3A |
| SFLSR-3A3A-40A2A-1615M | 1615 | 40 | 2 | 3A3A |
| SFLSR-3A3A-50A1I-1722.5M | 1722.5 | 50 | 1.8 | 3A3A |
| SFLSR-3A3A-90A2F-1732.5M | 1732.5 | 90 | 2.5 | 3A3A |
| SFLSR-3A3A-90A2D-1740M | 1740 | 90 | 2.3 | 3A3A |
| SFLSR-3A3A-40A2D-1745M | 1745 | 40 | 2.3 | 3A3A |

| Part Number Reference | Center Frequency (MHz) | Bandwidth (MHz) | Insert Loss (dB) | Package Code |
|---------------------------|------------------------|-----------------|------------------|--------------|
| SFLSR-3A3A-150A2F-1747.5M | 1747.5 | 150 | 2.5 | 3A3A |
| SFLSR-3A3A-40A2C-1765M | 1765 | 40 | 2.2 | 3A3A |
| SFLSR-3A3A-60A2D-1770M | 1770 | 60 | 2.3 | 3A3A |
| SFLSR-3A3A-40A2E-1795M | 1795 | 40 | 2.4 | 3A3A |
| SFLSR-3A3A-60A3G-1800M | 1800 | 60 | 3.6 | 3A3A |
| SFLSR-3A3A-40A2C-1800M | 1800 | 40 | 2.2 | 3A3A |
| SFLSR-3A3A-50A2C-1817.5M | 1817.5 | 50 | 2.2 | 3A3A |
| SFLSR-3A3A-90A2E-1827.5M | 1827.5 | 90 | 2.4 | 3A3A |
| SFLSR-3A3A-110A3D-1832.5M | 1832.5 | 110 | 3.3 | 3A3A |
| SFLSR-3A3A-120A2F-1835M | 1835 | 120 | 2.5 | 3A3A |
| SFLSR-3A3A-40A2C-1840M | 1840 | 40 | 2.2 | 3A3A |
| SFLSR-3A3A-150A3A-1842.5M | 1842.5 | 150 | 3 | 3A3A |
| SFLSR-3A3A-40A2C-1860M | 1860 | 40 | 2.2 | 3A3A |
| SFLSR-3A3A-60A2F-1865M | 1865 | 60 | 2.5 | 3A3A |
| SFLSR-3A3A-40A2B-1890M | 1890 | 40 | 2.1 | 3A3A |
| SFLSR-3A3A-80A1I-1900M | 1900 | 80 | 1.8 | 3A3A |
| SFLSR-3A3A-120A1J-1950M | 1950 | 120 | 1.9 | 3A3A |
| SFLSR-3A3A-60A2A-1955M | 1955 | 60 | 2 | 3A3A |
| SFLSR-3A3A-120A2A-1960M | 1960 | 120 | 2 | 3A3A |
| SFLSR-3A3A-100A2G-1965M | 1965 | 100 | 2.6 | 3A3A |
| SFLSR-3A3A-60A2B-1970M | 1970 | 60 | 2.1 | 3A3A |
| SFLSR-3A3A-30A3E-2017.5M | 2017.5 | 30 | 3.4 | 3A3A |
| SFLSR-3A3A-30A2B-2017.5M | 2017.5 | 30 | 2.1 | 3A3A |
| SFLSR-3A3A-90A2H-2132.5M | 2132.5 | 90 | 2.7 | 3A3A |
| SFLSR-3A3A-120A1I-2140M | 2140 | 120 | 1.8 | 3A3A |
| SFLSR-3A3A-120A2H-2140M | 2140 | 120 | 2.7 | 3A3A |
| SFLSR-3A3A-60A2H-2145M | 2145 | 60 | 2.7 | 3A3A |
| SFLSR-3A3A-54A2D-2313.5M | 2313.5 | 54 | 2.3 | 3A3A |
| SFLSR-3A3A-100A2D-2345M | 2345 | 100 | 2.3 | 3A3A |
| SFLSR-3A3A-20A2C-2492M | 2492 | 20 | 2.2 | 3A3A |
| SFLSR-3A3A-60A2F-2515M | 2515 | 60 | 2.5 | 3A3A |
| SFLSR-3A3A-80A2H-2555M | 2555 | 80 | 2.7 | 3A3A |
| SFLSR-3A3A-80A3A-2595M | 2595 | 80 | 3 | 3A3A |
| SFLSR-3A3A-120A2I-2605M | 2605 | 120 | 2.8 | 3A3A |
| SFLSR-3A3A-80A3A-2655M | 2655 | 80 | 3 | 3A3A |