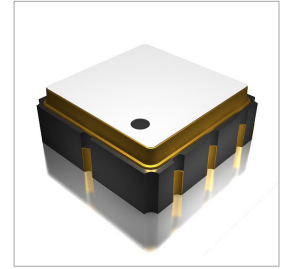


Features

- Frequencies from 110.592MHz to 868.35MHz
- Low amplitude ripple
- RoHS compliance
- Electrostatic sensitive device
- Compatible with EPCOS, TDK, etc

Applications

- Industry
- Wireless Communication
- RF Filters for Cellular Phone



Part Numbering Guide

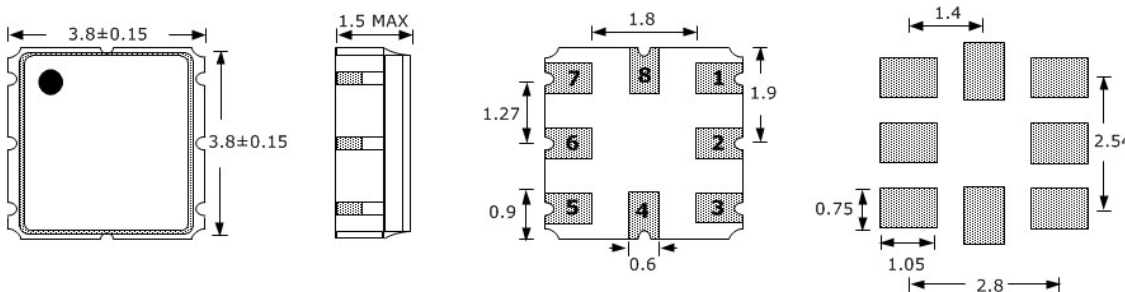
S FL SR 313I B5 1D - 315M



* Where letters denote decimal location (A=.0, B=.1, C=.2, etc.); e.g. B5=0.15, 3A5=3.05, 9A=9.0

| Electrical Parameters (at 25 °C) | Units | Minimum | Typical | Maximum | Remarks |
|----------------------------------|-------|---------|---------|---------|-------------------------------------|
| Center Frequency | MHz | 110.592 | | 868.35 | See part number reference (page 3). |
| Passband width | MHz | 0.15 | | 20 | See part number reference (page 3). |
| Insertion Loss | dB | 1.0 | | 20 | See part number reference (page 3). |
| DC voltage(VDC) | V | | 3.0 | | |
| Operating Temperature | °C | -40 | | 85 | |
| Storage Temperature | °C | -55 | | 125 | |
| Maximum Input Power | dBm | | 15 | | |
| Terminating Source Impedance | Ω | | 50 | | |
| Terminating Load Impedance | Ω | | 50 | | |

Outline Drawing

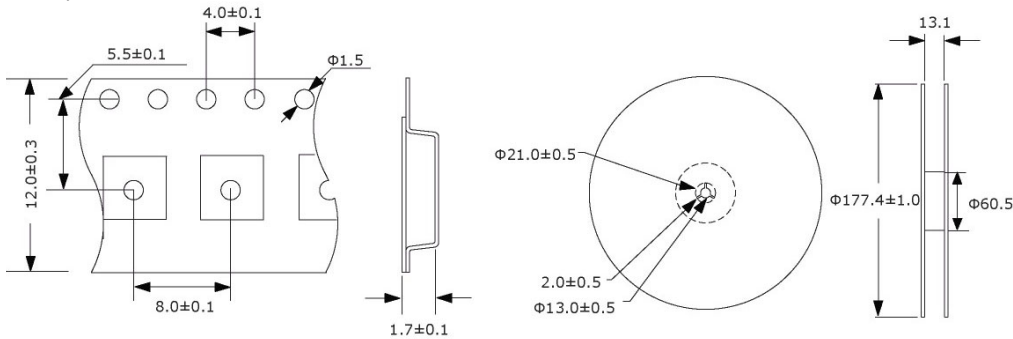


| PIN # | Function |
|-------------|----------|
| 2 | INPUT |
| 6 | OUTPUT |
| 1,3,4,5,7,8 | GROUND |

All dimensions are in millimeters (mm) unless otherwise noted. Drawings are not to scale.

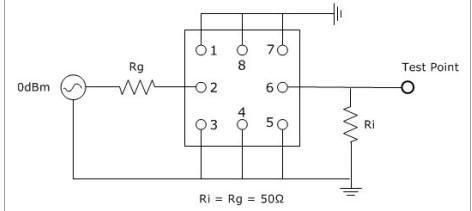
Tape and Reel Dimensions

1,000 pcs/reel



All dimensions are in millimeters (mm) unless otherwise noted. Drawings are not to scale.

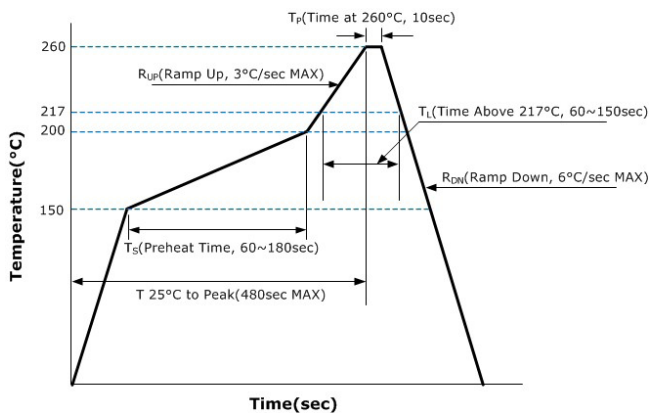
Test Circuit



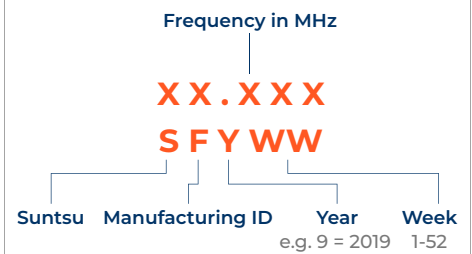
Environmental & Mechanical Specifications

| | |
|------------------------------|---|
| High Temperature Storage | 85°C (GRADE3), 1000h, unpowered |
| Temperature Cycling | -40°C / 85°C (GRADE3), 1000 cycles. Dwell time :15min. Transition time: < 20 s |
| Humidity Test | 85°C/85% relative humidity, 1000h voltage acc. Data sheet [here: 0 V] |
| Operational Life | Nominal RF power and maximum temperature acc. to data sheet. 85°C, 1000h |
| External Visual | Inspection acc. to MIL-STD-883 meth. 2009 |
| Physical Dimension | Verification acc. to IEC 862-1 |
| Mechanical Shock | 30000 m/s ² , 0.2ms, 1/2 Sin, 3x/direction |
| Vibration Test | 10 to 2000 Hz, 0,75 mm ampl., 100 m/s ² |
| Electrostatic Discharge | HBM : 1.5kOhm, 100pF, 1pulse +/- [here : all withstand 225VHBM] |
| Solderability | Solderability Solder reflow method (Pb-free), 230°C -0/+5°C, 10s (after preconditioning 155°C, 16h) |
| Resistance to Soldering Heat | 255°C -0/+5°C, 20s |

Reflow Profile



Marking



Part Number Reference Begins on Next Page

| Part Number Reference | Center Frequency (MHz) | Bandwidth (MHz) | Insert Loss (dB) | Package Code |
|--------------------------|------------------------|-----------------|------------------|--------------|
| SFLSR-3I3I-3A2G-110.592M | 110.592 | 3.0 | 2.6 | 2A1G |
| SFLSR-3I3I-B51F-303.825M | 303.825 | 0.15 | 1.5 | 2A1G |
| SFLSR-3I3I-B51E-303.825M | 303.825 | 0.15 | 1.4 | 2A1G |
| SFLSR-3I3I-B51D-315M | 315 | 0.15 | 1.3 | 2A1G |
| SFLSR-3I3I-B51E-390M | 390 | 0.15 | 1.4 | 2A1G |
| SFLSR-3I3I-B51C-433.92M | 433.92 | 0.15 | 1.2 | 2A1G |
| SFLSR-3I3I-16A20A-480M | 480 | 16 | 20 | 2A1G |
| SFLSR-3I3I-16A2I-480M | 500 | 16 | 2.8 | 2A1G |
| SFLSR-3I3I-100A3A-750M | 750 | 100 | 3 | 2A1G |
| SFLSR-3I3I-40A2C-768M | 768 | 40 | 2.2 | 2A1G |
| SFLSR-3I3I-D1A-868.35M | 868.35 | 0.3 | 1.0 | 2A1G |