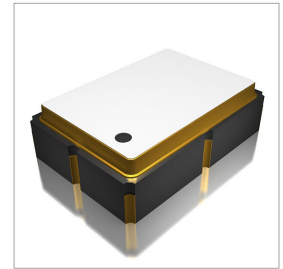


Features
<ul style="list-style-type: none"> <li>Frequencies from 315MHz to 868.35MHz</li> <li>Low amplitude ripple</li> <li>RoHS compliance</li> <li>Electrostatic sensitive device</li> <li>Compatible with EPCOS, TDK, etc</li> </ul>

Applications
<ul style="list-style-type: none"> <li>Industry</li> <li>Wireless Communication</li> <li>RF Filters for Cellular Phone</li> </ul>



**Part Numbering Guide**

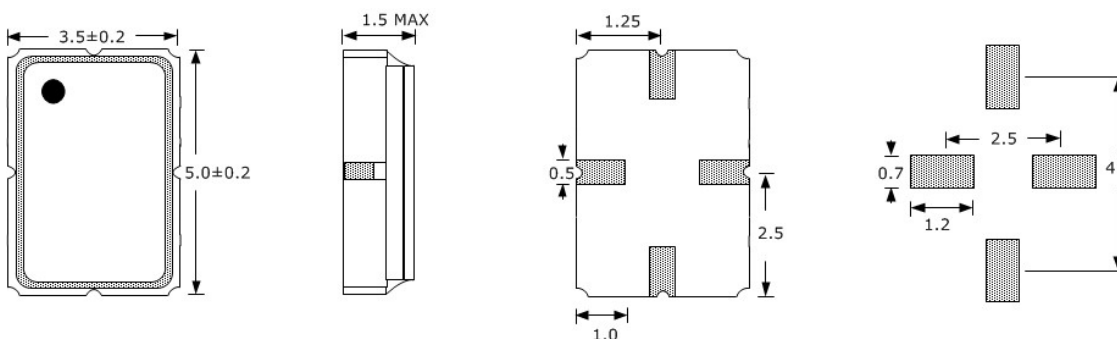
**S FL SR 5A3F B5 1C - 315M**



\* Where letters denote decimal location (A=0, B=1, C=2, etc.); e.g. B5=0.15, 3A5=3.05, 9A=9.0

Electrical Parameters (at 25 °C)	Units	Minimum	Typical	Maximum	Remarks
Center Frequency	MHz	315		868.35	See part number reference (page 2).
Passband width	MHz	0.15		0.3	See part number reference (page 2).
Insertion Loss	dB	1.0		2.0	See part number reference (page 2).
DC voltage(VDC)	V		3.0		
Operating Temperature	°C	-40		85	
Storage Temperature	°C	-55		125	
Maximum Input Power	dBm		15		
Terminating Source Impedance	Ω		50		
Terminating Load Impedance	Ω		50		

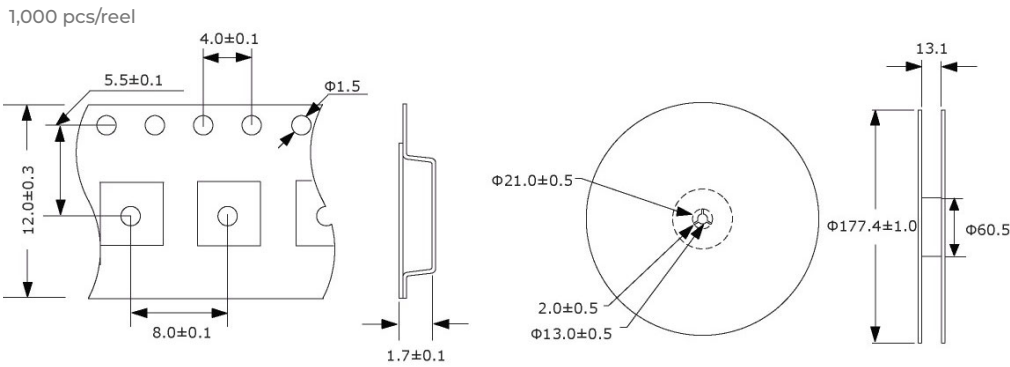
**Outline Drawing**



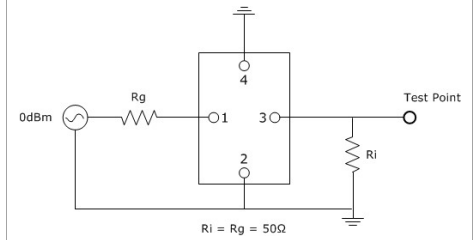
PIN #	Function
1	INPUT
3	OUTPUT
2, 4	GROUND

All dimensions are in millimeters (mm) unless otherwise noted. Drawings are not to scale.

**Tape and Reel Dimensions**



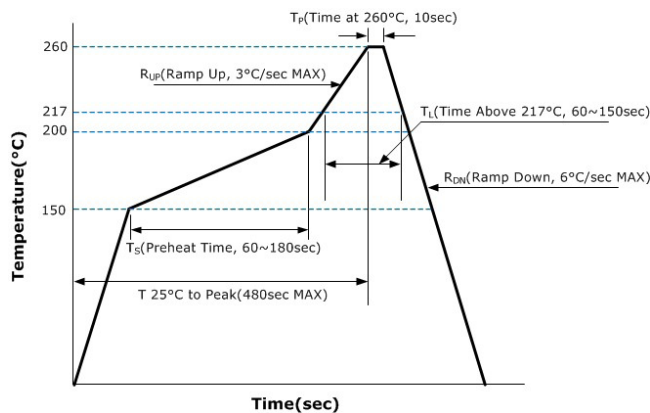
**Test Circuit**



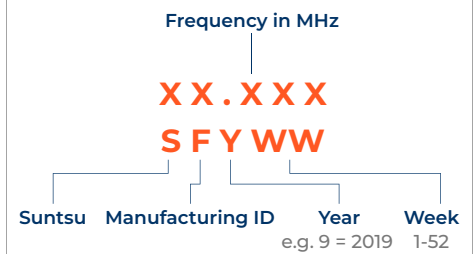
**Environmental & Mechanical Specifications**

High Temperature Storage	85°C (GRADE3), 1000h, unpowered
Temperature Cycling	-40°C / 85°C (GRADE3), 1000 cycles. Dwell time :15min. Transition time: < 20 s
Humidity Test	85°C/85% relative humidity, 1000h voltage acc. Data sheet [here: 0 V]
Operational Life	Nominal RF power and maximum temperature acc. V data sheet. 85°C, 1000h
External Visual	Inspection acc. to MIL-STD-883 meth. 2009
Physical Dimension	Verification acc. to IEC 862-1
Mechanical Shock	30000 m/s <sup>2</sup> , 0.2ms, 1/2 Sin, 3x/direction
Vibration Test	10 to 2000 Hz, 0,75 mm ampl., 100 m/s <sup>2</sup>
Electrostatic Discharge	HBM : 1.5kOhm, 100pF, 1pulse +/- [here : all withstand 225VHBM]
Solderability	Solderability Solder reflow method (Pb-free), 230°C -0/+5°C, 10s (after preconditioning 155°C, 16h)
Resistance to Soldering Heat	255°C -0/+5°C, 20s

**Reflow Profile**



**Marking**



Part Number Reference	Center Frequency (MHz)	Bandwidth (MHz)	Insert Loss (dB)	Package Code
SFLSR-5A3F-B51C-315M	315	0.15	1.2	2A1G
SFLSR-5A3F-B51E-370M	370	0.15	1.4	2A1G
SFLSR-5A3F-B51D-433.92M	433.92	0.15	1.3	2A1G
SFLSR-5A3F-D1A-868.35M	868.35	0.3	1.0	2A1G