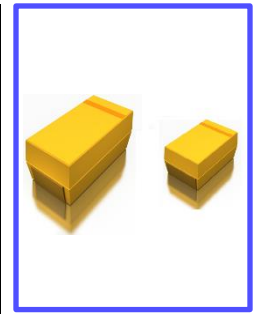


FEATURES	
<ul style="list-style-type: none"> - Very Low Equivalent Series Resistance (ESR), Ideal for Power Supplies - High ripple and current capability - Meets or Exceeds EIA 535 BAAC and IECQ standards (QC300801/US001, IS-28) - Pre-conditioned, surge current tested for maximum robustness - Capacitance range: 0.1µF to 1500µF - Voltage range: 4 to 50 WVDC - Down sized, extended range values - Low profile sizes: XL, AL, BL, CL, DL 	<ul style="list-style-type: none"> - Operating Temperature range -55°C to +125°C - Precision molded case with flat surfaces for vacuum pick-up - Laser marking and bold videcon – readable polarity - Compliant terminations - Glue pad on underside for bonding to circuit board prior to soldering - Encapsulant material satisfies the UL 94 V0 flammability classification - MSL (moisture sensitivity level) per IPC/Jedec J-STD-020B is level 1



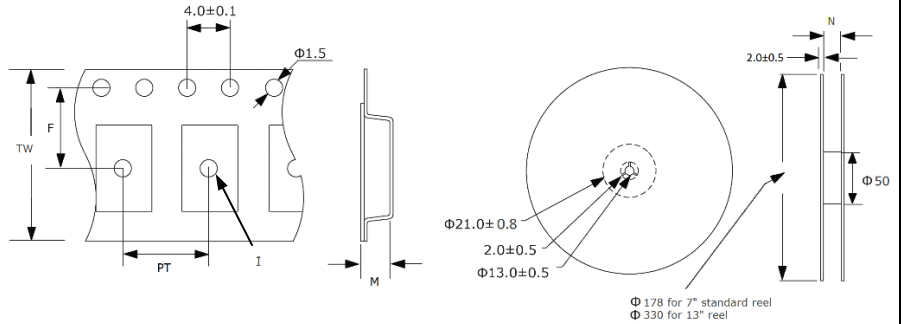
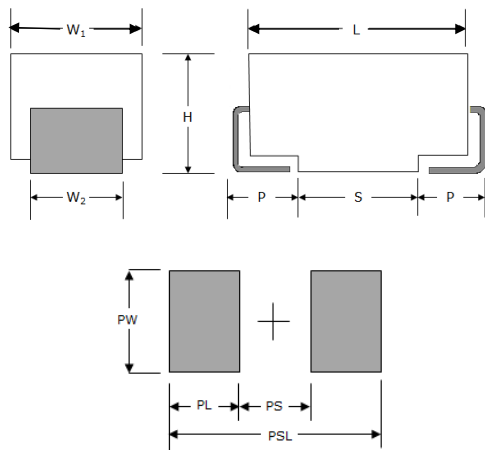
PART NUMBERING GUIDE	
<p>SERIES TYPE → LSR 10 / 35 D K 300 (optional) ←</p> <p>CAPACITANCE in microfarads (µF) Ex. 0.68µF would be .68</p> <p>VOLTAGE 4 6(6.3) 10 16 20 25 35 50</p>	<p>OPTIONAL -13 = 13 inch diameter Tape & Reel <blank> = 7 inch standard Tape & Reel TL = Tin/Lead MAXIMUM ESR in milliohms</p> <p>TOLERANCE M = (±20%) K = (±10%)</p> <p>CASE SIZE A (3216-18) B (3528-21) C (6032-28) D (7343-31) H (7343-43) Z (7361-38) XL (2012-12) Low Profile AL (3216-12) Low Profile BL (3528-12) Low Profile CL (6032-15) Low Profile DL (7343-20) Low Profile</p>

ELECTRICAL SPECIFICATION	
Technical Data:	All technical data relate to an ambient temperature of +25°C
Capacitance Range	0.10µF to 1500µF
Capacitance Tolerance	±10% (K); ±20% (M)
Rated Voltage DC (V _R) ≤+85°C	4 6.3 10 16 20 25 35 50
Category Voltage DC (V _C) ≤+125°C	2.7 4 7 10 13 17 23 33
Surge Voltage (V _S) ≤+85°C	5.2 8 13 20 26 32 46 65
Surge Voltage (V _S) ≤+125°C	3.2 5 8 13 16 20 28 40
Temperature Range	-55°C to +125°C with 2/3 V _r (linear derating) required for operation above +85°C
Reliability	Level M (1% per 1000 hours at rated voltage (V _R), rated temperature (85°C) and 0.1Ω/volt circuit impedance. Fixed Tantalum Specifications: EIA 525BAAC and IECQ standards (QC300801/US001, IS-28)
Qualifications	Solder-ability: Sn Plated Terminations – meets requirements of IEC 68 2.20 test Ta and MIL-STD=202, Method 208 MSL (moisture sensitivity level): Level 1 of IPC/Jedec J-STD-020B

CASE SIZE CROSS REFERENCE: CAPACITANCE AND VOLTAGE RATING (Rated Voltage DC@ 85°C)								
Cap (µF)	4V	6.3V	10V	16V	20V	25V	35V	50V
0.15	A	A	A	A	A	A	A	A
0.22	A	A	A	A	A	A	A	A
0.33	A	A	A	A	A	A	A	A
0.47	A, B, C	A, B, C	A, B, C	A, B, C	A, B, C	A, B, C	A, B, C	C
0.68	A	A	A	A	A	A	A	A
1.0	A, AL, B, BL, C, XL	A, AL, B, BL, C, XL	A, AL, B, BL, C, XL	A, AL, B, BL, C, XL	A, AL, B, BL, C, XL	A, B, C, XL	A, B, C	C
1.5	A, C	A, C	A, C	A, C	A, C	A, C	A, C	C
2.2	A, B, BL, C, D, XL	A, B, BL, C, D, XL	A, B, BL, C, D	A, B, BL, C, D	A, B, C, D	A, B, C, D	A, B, C, D	D
3.3	A, B, BL, C, D	A, B, BL, C, D	A, B, BL, C, D	A, B, C, D	A, B, C, D	B, C, D	B, C, D	D
4.7	A, AL, B, C, D, XL	A, AL, B, C, D, XL	A, B, C, D, XL	A, B, C, D	A, B, C, D	A, B, C, D	B, C, D	D
6.8	A, B, BL, C, D	A, B, BL, C, D	A, B, BL, C, D	A, B, C, D	A, B, C, D	B, C, D	C, D	D
10.0	A, AL, B, BL, C, CL, D, DL, H, XL	A, AL, B, BL, C, CL, D, DL, H, XL	A, AL, B, BL, C, CL, D, DL, H	A, B, BL, C, CL, D, DL, H	B, C, CL, D, DL, H	B, C, D, DL, H	D, DL, H	D, H
15.0	A, B, BL, C, D, DL, H, Z	A, B, BL, C, D, DL, H, Z	A, B, BL, C, D, DL, H, Z	B, C, D, DL, H, Z	B, C, D, DL, H, Z	C, D, DL, H, Z	C, D, DL, H, Z	H, Z
22.0	A, AL, B, BL, C, CL, D, DL, H	A, AL, B, BL, C, CL, D, DL, H	A, B, BL, C, CL, D, DL, H	B, C, CL, D, DL, H	B, C, D, DL, H	C, D, DL, H	D, DL, H	H
33.0	A, B, BL, C, CL, D, DL, H, Z	A, B, BL, C, CL, D, DL, H, Z	A, B, C, CL, D, DL, H, Z	B, C, CL, D, DL, H, Z	C, D, DL, H, Z	D, DL, H, Z	D, H, Z	
47.0	A, B, BL, C, CL, D, DL, H, Z	A, B, BL, C, CL, D, DL, H, Z	B, C, CL, D, DL, H, Z	C, CL, D, DL, H, Z	D, H, Z	D, H, Z	H, Z	
68.0	B, C, CL, D, DL, H, Z	B, C, CL, D, DL, H, Z	B, C, CL, D, DL, H, Z	C, D, DL, H, Z	D, H, Z	H, Z	Z	
100.0	B, C, CL, D, DL, H, Z	B, C, CL, D, DL, H, Z	B, C, CL, D, DL, H, Z	C, D, DL, H, Z	D, H, Z	H, Z		
150.0	C, D, DL, H, Z	C, D, DL, H, Z	D, DL, H, Z	D, DL, H, Z	H, Z	Z		
220.0	C, D, DL, H, Z	C, D, DL, H, Z	D, DL, H, Z	H, Z				
330.0	C, D, DL, H, Z	C, D, DL, H, Z	D, H, Z	H				
470.0	D, DL, H, Z	D, DL, H, Z	H, Z					
680.0	D, H, Z	H, Z						
1000.0	D, H, Z	H, Z						
1500.0	H, Z							

OUTLINE DRAWING AND PAD PRINT

TAPE AND REEL DIMENSION

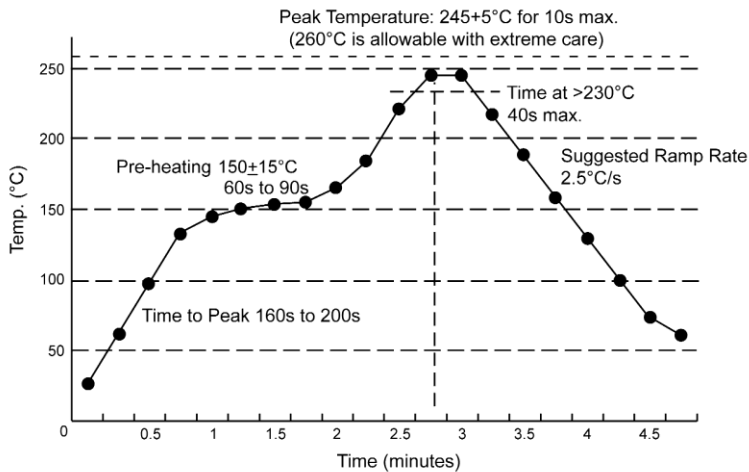


(3) 0805 Footprint Compatible
 (4) 1206 Footprint Compatible
 NOTE: Dimensions in millimeters

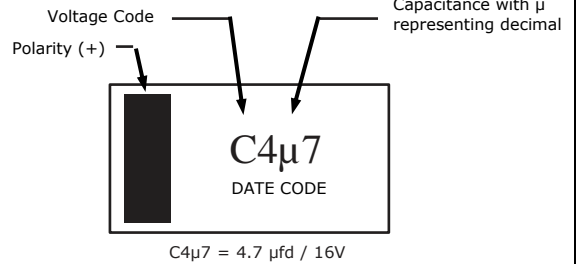
NEMCO Size	EIA Size	L ±0.2	W ₁ ± 0.2	H (MAX)	W ₂ ± 0.1	P ±0.3	S Min.	PSL	PL	PS	PW	TW ±0.3	PT (Pitch)	M (MAX)	I	N ±1	F ±0.05
A(4)	3216-18	3.2	1.6	1.6	1.2	0.8	1.10	3.8	1.4	1.0	1.8	8	4	2.3	1.0	9.5	3.5
B	3528-21	3.5	2.8	1.9	2.2	0.8	1.40	4.0	1.4	1.2	2.8	8	4	2.6	1.0	9.5	3.5
C	6032-28	6.0	3.2	2.6	2.2	1.3	2.90	6.5	2.0	2.5	2.8	12	8	3.3	1.5	13	5.5
D	7343-31	7.3	4.3	2.9	2.4	1.3	4.40	8.0	2.0	4.0	3.0	12	8	3.6	1.5	13	5.5
H	7343-43	7.3	4.3	4.1	2.4	1.3	4.40	8.0	2.0	4.0	3.0	12	8	4.8	1.5	13	5.5
Z	7361-38	7.3	6.1	3.45	3.1	1.4	4.40	8.0	2.0	4.0	3.7	12	8	4.8	1.5	13	5.5
XL(3)	2012-12	2.05	1.3	1.2	1.2	0.5	0.85	2.7	1.0	0.8	1.6	8	4	1.9	1.0	9.5	3.5
AL(4)	3216-12	3.2	1.6	1.2	1.2	0.8	1.10	3.8	1.4	1.0	1.8	8	4	1.9	1.0	9.5	3.5
BL	3528-12	3.5	2.8	1.2	2.2	0.8	1.40	4.0	1.4	1.2	2.8	8	4	1.9	1.0	9.5	3.5
CL	6032-15	6.0	3.2	1.5	2.2	1.3	2.90	6.5	2.0	2.5	2.8	8	4	1.9	1.0	9.5	3.5
DL	7343-20	7.3	4.3	2.0	2.4	1.3	4.40	8.0	2.0	4.0	3.0	8	4	1.7	1.0	9.5	3.5

REFLOW PROFILE

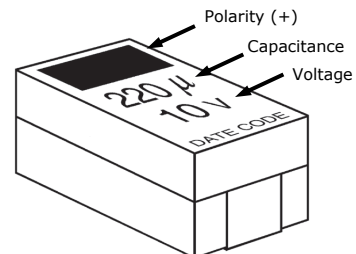
MARKING



Case Sizes: XL, A, AL, B, BL



Case Sizes: C, CL, D, DL, H, Z



Tantalum capacitors are lead-free system compatible system components, meeting the requirements of J-STD-020 standard. Maximum peak temperature 260°C for 10 seconds maximum, 3 reflow cycles.

- There are several important general soldering considerations for tantalum capacitors.
- Soldering temperature and time should be the minimum for a good connection.
 - Recommended soldering profiles are designed to insure that the temperature of the internal construction of the capacitors does not exceed +220°C.
 - Positioning capacitors near components radiating heat such as power transistors should be avoided.
 - Allow for an increase to ESR ratings of 1.25 x catalog limit post PCB assembly.

Voltage VDC	4V	6.3V	10V	16V	20V	25V	35V	50V
Voltage Code	G	J	A	C	D	E	V	T

NEMCO reserves the right to supply a higher voltage rating, tighter tolerance and/or lower ESR in the same case size, to the same reliability standards.

RATINGS AND PART NUMBER REFERENCE

4 V DC @ 85°C (2.7 V DC @ 125°C)									
Capacitance (µF)	Case Size	ESR @ 100kHz max. (mΩ)	Nemco Part No.	DCL (µA) max	tan δ max. (%)	Max. Ripple Current @100kHz mA (milliamps)			
						25°C	85°C	125°C	
10.0	XL	3000	LSR10 / 4XL - 3000	0.5	6	135	122	54	
47.0	A	500	LSR47 / 4A - 500	1.9	8	387	349	155	
100.0	B	200	LSR100 / 4B - 200	4.0	8	652	587	261	
100.0	B	250	LSR100 / 4B - 250	4.0	8	583	525	233	
100.0	B	350	LSR100 / 4B - 350	4.0	8	493	444	197	
100.0	B	500	LSR100 / 4B - 500	4.0	8	412	371	165	
100.0	CL	100	LSR100 / 4CL - 100	4.0	6	949	854	379	
150.0	B	250	LSR150 / 4B - 250	6.0	10	583	525	233	
150.0	C	70	LSR150 / 4C - 70	6.0	6	1254	1128	501	
150.0	C	80	LSR150 / 4C - 80	6.0	6	1173	1055	469	
220.0	D	40	LSR220 / 4D - 40	8.8	8	1936	1743	775	
220.0	D	50	LSR220 / 4D - 50	8.8	8	1732	1559	693	
220.0	D	100	LSR220 / 4D - 100	8.8	8	1225	1102	490	
220.0	DL	40	LSR220 / 4DL - 40	8.8	8	1768	1591	707	
220.0	DL	50	LSR220 / 4DL - 50	8.8	8	1581	1423	632	
220.0	DL	75	LSR220 / 4DL - 75	8.8	8	1291	1162	516	
330.0	C	100	LSR330 / 4C - 100	13.2	8	1049	944	420	
330.0	D	25	LSR330 / 4D - 25	13.2	8	3194	2874	1277	
330.0	D	35	LSR330 / 4D - 35	13.2	8	2699	2429	1080	
330.0	D	45	LSR330 / 4D - 45	13.2	8	1826	1643	730	
330.0	D	100	LSR330 / 4D - 100	13.2	8	1225	1102	490	
470.0	D	25	LSR470 / 4D - 25	18.8	8	3194	2874	1277	
470.0	D	35	LSR470 / 4D - 35	18.8	8	2699	2429	1080	
470.0	D	45	LSR470 / 4D - 45	18.8	12	1826	1643	730	
470.0	D	100	LSR470 / 4D - 100	18.8	12	1225	1102	490	
470.0	H	35	LSR470 / 4H - 35	18.8	10	2171	1954	868	
470.0	H	45	LSR470 / 4H - 45	18.8	10	1915	1723	766	
470.0	H	100	LSR470 / 4H - 100	18.8	10	1285	1156	514	
680.0	D	25	LSR680 / 4D - 25	27.2	8	3194	2874	1277	
680.0	D	45	LSR680 / 4D - 45	27.2	14	1915	1643	730	
680.0	D	60	LSR680 / 4D - 60	27.2	14	1581	1423	632	
680.0	D	100	LSR680 / 4D - 100	27.2	14	1225	1102	490	
680.0	H	18	LSR680 / 4H - 18	27.0	6	3873	3486	1549	
680.0	H	23	LSR680 / 4H - 23	27.0	6	3426	3084	1370	
680.0	H	40	LSR680 / 4H - 40	27.2	14	2031	1828	812	
680.0	H	60	LSR680 / 4H - 60	27.2	14	1658	1492	663	
680.0	H	100	LSR680 / 4H - 100	27.2	14	1285	1156	514	
1000.0	D	25	LSR1000 / 4D - 25	40.0	8	3194	2874	1277	
1000.0	D	45	LSR1000 / 4D - 45	40.0	8	2380	2142	952	
1000.0	H	18	LSR1000 / 4H - 18	40.0	6	3873	3486	1549	
1000.0	H	23	LSR1000 / 4H - 23	40.0	6	3426	3084	1370	
1000.0	H	40	LSR1000 / 4H - 40	40.0	14	2031	1828	812	
1000.0	H	60	LSR1000 / 4H - 60	40.0	14	1658	1492	663	
1000.0	Z	18	LSR1000 / 4Z - 18	40.0	6	3979	3581	1592	
1000.0	Z	25	LSR1000 / 4Z - 25	40.0	16	3162	2846	1265	
1000.0	Z	35	LSR1000 / 4Z - 35	40.0	16	2673	2405	1069	
1000.0	Z	40	LSR1000 / 4Z - 40	40.0	16	2500	2250	1000	
1000.0	Z	50	LSR1000 / 4Z - 50	40.0	16	2236	2012	894	
1500.0	H	15	LSR1500 / 4H - 15	40.0	6	4243	3818	1697	
1500.0	H	50	LSR1500 / 4H - 50	60.0	30	1817	1635	727	
1500.0	H	75	LSR1500 / 4H - 75	60.0	30	1483	1335	593	
1500.0	Z	50	LSR1500 / 4Z - 50	60.0	30	2236	2012	894	
1500.0	Z	75	LSR1500 / 4Z - 75	60.0	30	1826	1643	730	

6.3 V DC @ 85°C (4 V DC @ 125°C)									
Capacitance (µF)	Case Size	ESR @ 100kHz max. (mΩ)	Nemco Part No.	DCL (µA) max	tan δ max. (%)	Max. Ripple Current @100kHz mA (milliamps)			
						25°C	85°C	125°C	
2.2	XL	7000	LSR2.2 / 6XL - 7000	0.5	6	89	80	35	
4.7	AL	4000	LSR4.7 / 6AL - 4000	0.5	6	127	115	51	
6.8	A	1800	LSR6.8 / 6A - 1800	0.5	6	204	184	82	
10.0	A	1500	LSR10 / 6A - 1500	0.6	6	224	201	89	
10.0	BL	1000	LSR10 / 6BL - 1000	0.6	6	283	255	113	
10.0	XL	1000	LSR10 / 6XL - 1000	0.6	8	235	211	94	
10.0	XL	1500	LSR10 / 6XL - 1500	0.6	8	191	172	77	
10.0	XL	3000	LSR10 / 6XL - 3000	0.6	8	135	122	54	
15.0	A	700	LSR15 / 6A - 700	0.9	6	327	295	131	
15.0	A	1500	LSR15 / 6A - 1500	0.9	6	224	200	89	
22.0	A	500	LSR22 / 6A - 500	1.4	6	387	349	155	
22.0	A	900	LSR22 / 6A - 900	1.4	6	289	260	115	
22.0	AL	900	LSR22 / 6AL - 900	1.4	10	269	242	107	
22.0	B	375	LSR22 / 6B - 375	1.4	6	476	428	190	
22.0	B	600	LSR22 / 6B - 600	1.4	6	376	339	151	
33.0	A	600	LSR33 / 6A - 600	2.1	8	353	318	141	
33.0	B	250	LSR33 / 6B - 250	2.1	6	583	525	233	
33.0	B	350	LSR33 / 6B - 350	2.1	6	493	444	197	
33.0	B	450	LSR33 / 6B - 450	2.1	6	435	391	174	
33.0	B	600	LSR33 / 6B - 600	2.1	6	376	339	151	

CONT'D ON NEXT PAGE

Insert tolerance M(±20%) or K(±10%) to complete the Nemco part number
 NEMCO reserves the right to supply a higher voltage rating, tighter tolerance and/or lower ESR in the same case size, to the same reliability standards.

RATINGS AND PART NUMBER REFERENCE

6.3 V DC @ 85°C (4 V DC @ 125°C) CONT'D									
Capacitance (µF)	Case Size	ESR @ 100kHz max. (mΩ)	Nemco Part No.	DCL (µA) max	tan δ max. (%)	Max. Ripple Current @100kHz mA (milliamps)			
						25°C	85°C	125°C	
33.0	BL	800	LSR33 / 6BL - 800	2.1	10	316	285	126	
47.0	A	800	LSR47 / 6A - 800	2.8	10	306	276	122	
47.0	B	250	LSR47 / 6B - 250	3.0	6	583	525	233	
47.0	B	350	LSR47 / 6B - 350	3.0	6	493	444	197	
47.0	B	500	LSR47 / 6B - 500	3.0	6	412	371	165	
47.0	BL	1200	LSR47 / 6BL - 1200	2.8	10	258	232	103	
47.0	C	300	LSR47 / 6C - 300	3.0	6	606	545	242	
68.0	B	250	LSR68 / 6B - 250	4.0	8	583	525	233	
68.0	B	350	LSR68 / 6B - 350	4.0	8	493	444	197	
68.0	B	500	LSR68 / 6B - 500	4.0	6	412	371	165	
68.0	C	150	LSR68 / 6C - 150	4.3	6	856	771	343	
68.0	C	200	LSR68 / 6C - 200	4.3	6	742	667	297	
68.0	CL	110	LSR68 / 6CL - 110	4.3	6	905	814	362	
68.0	CL	125	LSR68 / 6CL - 125	4.3	6	849	764	339	
68.0	CL	250	LSR68 / 6CL - 250	4.3	6	600	540	240	
100.0	B	250	LSR100 / 6B - 250	6.3	10	583	525	233	
100.0	B	400	LSR100 / 6B - 400	6.3	10	461	415	184	
100.0	C	75	LSR100 / 6C - 75	6.3	6	1211	1090	484	
100.0	C	150	LSR100 / 6C - 150	6.3	6	856	771	343	
100.0	CL	100	LSR100 / 6CL - 100	6.3	6	949	854	379	
100.0	CL	150	LSR100 / 6CL - 150	6.3	6	775	697	310	
100.0	DL	100	LSR100 / 6DL - 100	6.3	6	1118	1006	447	
150.0	C	50	LSR150 / 6C - 50	9.5	6	1483	1335	593	
150.0	C	90	LSR150 / 6C - 90	9.5	6	1106	995	442	
150.0	C	150	LSR150 / 6C - 150	9.5	6	856	771	343	
150.0	C	200	LSR150 / 6C - 200	9.5	6	742	667	297	
150.0	C	250	LSR150 / 6C - 250	9.5	6	663	597	265	
150.0	D	50	LSR150 / 6D - 50	9.5	6	1732	1559	693	
150.0	D	125	LSR150 / 6D - 125	9.5	6	1095	986	438	
150.0	DL	40	LSR150 / 6DL - 40	9.5	6	1768	1591	707	
150.0	DL	50	LSR150 / 6DL - 50	9.5	6	1581	1423	632	
220.0	C	70	LSR220 / 6C - 70	13.9	8	1254	1128	501	
220.0	C	100	LSR220 / 6C - 100	13.9	8	1049	944	420	
220.0	C	125	LSR220 / 6C - 125	13.9	8	938	844	375	
220.0	C	250	LSR220 / 6C - 250	13.9	8	663	597	265	
220.0	D	50	LSR220 / 6D - 50	13.9	8	1732	1559	693	
220.0	D	100	LSR220 / 6D - 100	13.9	8	1225	1102	490	
220.0	D	125	LSR220 / 6D - 125	13.9	8	1095	986	438	
220.0	DL	30	LSR220 / 6DL - 30	13.2	6	2646	2381	1058	
220.0	DL	100	LSR220 / 6DL - 100	13.9	8	1118	1006	447	
220.0	DL	150	LSR220 / 6DL - 150	13.9	10	913	822	365	
220.0	H	100	LSR220 / 6H - 100	13.9	8	1285	1156	514	
330.0	C	80	LSR330 / 6C - 80	19.8	12	1173	1055	469	
330.0	C	100	LSR330 / 6C - 100	19.8	12	1049	944	420	
330.0	D	25	LSR330 / 6D - 25	19.8	8	3194	2874	1277	
330.0	D	35	LSR330 / 6D - 35	19.8	8	2699	2429	1080	
330.0	D	45	LSR330 / 6D - 45	20.8	8	1826	1643	730	
330.0	D	50	LSR330 / 6D - 50	20.8	8	1732	1559	693	
330.0	D	70	LSR330 / 6D - 70	20.8	8	1464	1317	586	
330.0	D	100	LSR330 / 6D - 100	20.8	8	1225	1102	490	
330.0	DL	100	LSR330 / 6DL - 100	20.8	12	1118	1006	447	
330.0	DL	150	LSR330 / 6DL - 150	20.8	12	913	822	365	
330.0	H	50	LSR330 / 6H - 50	20.8	8	1817	1635	727	
330.0	H	100	LSR330 / 6H - 100	20.8	8	1285	1156	514	
330.0	H	125	LSR330 / 6H - 125	20.8	8	1149	1034	460	
330.0	H	150	LSR330 / 6H - 150	20.8	8	1049	944	420	
330.0	Z	100	LSR330 / 6Z - 100	20.8	8	1581	1423	632	
470.0	D	45	LSR470 / 6D - 45	28.0	12	1826	1643	730	
470.0	D	60	LSR470 / 6D - 60	28.0	12	1581	1423	632	
470.0	D	100	LSR470 / 6D - 100	28.0	12	1225	1102	490	
470.0	D	200	LSR470 / 6D - 200	28.0	12	866	779	346	
470.0	DL	150	LSR470 / 6DL - 150	28.2	20	913	822	365	
470.0	H	18	LSR470 / 6H - 18	28.0	6	3873	3486	1549	
470.0	H	23	LSR470 / 6H - 23	28.0	6	3426	3084	1370	
470.0	H	30	LSR470 / 6H - 30	28.0	6	3000	2700	1200	
470.0	H	45	LSR470 / 6H - 45	28.0	10	1915	1723	766	
470.0	H	50	LSR470 / 6H - 50	28.0	10	1817	1635	727	
470.0	H	60	LSR470 / 6H - 60	28.0	10	1658	1492	663	
470.0	H	100	LSR470 / 6H - 100	28.0	10	1285	1156	514	

_ Insert tolerance M(±20%) or K(±10%) to complete the Nemco part number

NEMCO reserves the right to supply a higher voltage rating, tighter tolerance and/or lower ESR in the same case size, to the same reliability standards.

RATINGS AND PART NUMBER REFERENCE

10 V DC @ 85°C (7 V DC @ 125°C)									
Capacitance (µF)	Case Size	ESR @ 100kHz max. (mΩ)	Nemco Part No.	DCL (µA) max	tan δ max. (%)	Max. Ripple Current @100kHz mA (milliamps)			
						25°C	85°C	125°C	
1.0	XL	9000	LSR1 / 10XL _ 9000	0.5	4	78	70	31	
2.2	A	1800	LSR2.2 / 10A _ 1800	0.5	6	204	184	82	
3.3	BL	1500	LSR3.3 / 10BL _ 1500	0.5	6	231	208	92	
4.7	A	1400	LSR4.7 / 10A _ 1400	0.5	6	231	208	93	
4.7	XL	3000	LSR4.7 / 10XL _ 3000	0.5	6	135	122	54	
4.7	XL	5000	LSR4.7 / 10XL _ 5000	0.5	6	105	94	42	
6.8	A	1800	LSR6.8 / 10A _ 1800	0.7	6	204	184	82	
6.8	BL	1800	LSR6.8 / 10BL _ 1800	0.7	6	211	190	84	
10.0	A	900	LSR10 / 10A _ 900	1.0	6	289	260	115	
10.0	A	1800	LSR10 / 10A _ 1800	1.0	6	204	184	82	
10.0	AL	900	LSR10 / 10AL _ 900	1.0	8	269	242	107	
10.0	BL	1000	LSR10 / 10BL _ 1000	1.0	6	283	255	113	
10.0	BL	2000	LSR10 / 10BL _ 2000	1.0	6	200	180	80	
15.0	A	1000	LSR15 / 10A _ 1000	1.5	6	274	246	110	
15.0	B	450	LSR15 / 10B _ 450	1.5	6	435	391	174	
15.0	B	600	LSR15 / 10B _ 600	1.5	6	376	339	151	
15.0	BL	1200	LSR15 / 10BL _ 1200	1.5	8	258	232	103	
22.0	A	900	LSR22 / 10A _ 900	2.2	8	289	260	115	
22.0	B	400	LSR22 / 10B _ 400	2.2	6	461	415	184	
22.0	B	500	LSR22 / 10B _ 500	2.2	6	412	371	165	
22.0	B	700	LSR22 / 10B _ 700	2.2	6	348	314	139	
22.0	C	300	LSR22 / 10C _ 300	2.2	6	606	545	242	
33.0	A	700	LSR33 / 10A _ 700	3.3	8	327	295	131	
33.0	B	250	LSR33 / 10B _ 250	3.3	6	583	525	233	
33.0	B	425	LSR33 / 10B _ 425	3.3	6	447	402	179	
33.0	B	500	LSR33 / 10B _ 500	3.3	6	412	371	165	
33.0	B	650	LSR33 / 10B _ 650	3.3	6	362	325	145	
33.0	C	150	LSR33 / 10C _ 150	3.3	6	856	771	343	
33.0	C	375	LSR33 / 10C _ 375	3.3	6	542	487	217	
33.0	C	500	LSR33 / 10C _ 500	3.3	6	469	422	188	
47.0	B	250	LSR47 / 10B _ 250	4.7	8	583	525	233	
47.0	B	350	LSR47 / 10B _ 350	4.7	8	493	444	197	
47.0	B	500	LSR47 / 10B _ 500	4.7	8	412	371	165	
47.0	B	650	LSR47 / 10B _ 650	4.7	8	362	325	145	
47.0	C	200	LSR47 / 10C _ 200	4.7	6	742	667	297	
47.0	C	350	LSR47 / 10C _ 350	4.7	6	561	505	224	
47.0	CL	125	LSR47 / 10CL _ 125	4.7	6	849	764	339	
47.0	CL	150	LSR47 / 10CL _ 150	4.7	6	775	697	310	
47.0	CL	250	LSR47 / 10CL _ 250	4.7	6	600	540	240	
47.0	D	100	LSR47 / 10D _ 100	4.7	6	1225	1102	490	
68.0	B	600	LSR68 / 10B _ 600	6.8	8	376	339	151	
68.0	C	80	LSR68 / 10C _ 80	6.8	6	1173	1055	469	
68.0	C	100	LSR68 / 10C _ 100	6.8	6	1049	944	420	
68.0	C	200	LSR68 / 10C _ 200	6.8	6	742	667	297	
68.0	C	300	LSR68 / 10C _ 300	6.8	6	606	545	242	
68.0	CL	100	LSR68 / 10CL _ 100	6.8	6	949	854	379	
68.0	CL	150	LSR68 / 10CL _ 150	6.8	6	775	697	310	
68.0	D	100	LSR68 / 10D _ 100	6.8	6	1225	1102	490	
68.0	D	150	LSR68 / 10D _ 150	6.8	6	1000	900	400	
68.0	DL	200	LSR68 / 10DL _ 200	6.8	6	791	712	316	
100.0	B	400	LSR100 / 10B _ 400	10.0	8	461	415	184	
100.0	C	75	LSR100 / 10C _ 75	10.0	8	1211	1090	484	
100.0	C	100	LSR100 / 10C _ 100	10.0	8	1049	944	420	
100.0	C	150	LSR100 / 10C _ 150	10.0	8	856	771	343	
100.0	C	200	LSR100 / 10C _ 200	10.0	8	742	667	297	
100.0	CL	150	LSR100 / 10CL _ 150	10.0	6	775	697	310	
100.0	D	50	LSR100 / 10D _ 50	10.0	6	1732	1559	693	
100.0	D	65	LSR100 / 10D _ 65	10.0	6	1519	1367	608	
100.0	D	80	LSR100 / 10D _ 80	10.0	6	1369	1232	548	
100.0	D	100	LSR100 / 10D _ 100	10.0	6	1225	1102	490	
100.0	D	125	LSR100 / 10D _ 125	10.0	6	1095	986	438	
100.0	D	150	LSR100 / 10D _ 150	10.0	6	1000	900	400	
100.0	DL	45	LSR100 / 10DL _ 45	10.0	8	2160	1944	864	
100.0	DL	100	LSR100 / 10DL _ 100	10.0	6	1118	1006	447	
100.0	DL	150	LSR100 / 10DL _ 150	10.0	6	913	822	365	
100.0	DL	200	LSR100 / 10DL _ 200	10.0	6	791	712	316	
100.0	H	125	LSR100 / 10H _ 125	10.0	6	1149	1034	460	
150.0	D	50	LSR150 / 10D _ 50	15.0	8	1732	1559	693	
150.0	D	85	LSR150 / 10D _ 85	15.0	8	1328	1196	531	
150.0	D	100	LSR150 / 10D _ 100	15.0	8	1225	1102	490	
150.0	DL	45	LSR150 / 10DL _ 45	15.0	8	2160	1944	864	
150.0	DL	100	LSR150 / 10DL _ 100	15.0	6	1118	1006	447	
150.0	DL	150	LSR150 / 10DL _ 150	15.0	6	913	822	365	
150.0	DL	200	LSR150 / 10DL _ 200	15.0	6	791	712	316	
150.0	H	100	LSR150 / 10H _ 100	15.0	8	1285	1156	514	
220.0	D	35	LSR220 / 10D _ 35	22.0	8	2699	2429	1080	
220.0	D	50	LSR220 / 10D _ 50	22.0	8	1732	1559	693	
220.0	D	100	LSR220 / 10D _ 100	22.0	8	1225	1102	490	
220.0	D	150	LSR220 / 10D _ 150	22.0	8	1000	900	400	
220.0	DL	100	LSR220 / 10DL _ 100	22.0	10	1118	1006	447	
220.0	DL	150	LSR220 / 10DL _ 150	22.0	10	913	822	365	

CONT'D ON NEXT PAGE

_ Insert tolerance M(±20%) or K(±10%) to complete the Nemco part number

NEMCO reserves the right to supply a higher voltage rating, tighter tolerance and/or lower ESR in the same case size, to the same reliability standards.

RATINGS AND PART NUMBER REFERENCE

10 V DC @ 85°C (7 V DC @ 125°C) CONT'D								
Capacitance (µF)	Case Size	ESR @ 100kHz max. (mΩ)	Nemco Part No.	DCL (µA) max	tan δ max. (%)	Max. Ripple Current @100kHz mA (milliamps)		
						25°C	85°C	125°C
220.0	DL	200	LSR220 / 10DL _ 200	22.0	10	791	712	316
220.0	H	50	LSR220 / 10H _ 50	22.0	8	1817	1635	727
220.0	H	60	LSR220 / 10H _ 60	22.0	8	1658	1492	663
220.0	H	70	LSR220 / 10H _ 70	22.0	8	1535	1382	614
220.0	H	100	LSR220 / 10H _ 100	22.0	8	1285	1156	514
220.0	H	125	LSR220 / 10H _ 125	22.0	8	1149	1034	460
220.0	H	150	LSR220 / 10H _ 150	22.0	8	1049	944	420
330.0	D	35	LSR330 / 10D _ 35	33.0	8	2699	2429	1080
330.0	D	50	LSR330 / 10D _ 50	33.0	8	1732	1559	693
330.0	D	65	LSR330 / 10D _ 65	33.0	8	1519	1367	608
330.0	D	100	LSR330 / 10D _ 100	33.0	8	1225	1102	490
330.0	D	150	LSR330 / 10D _ 150	33.0	8	1000	900	400
330.0	H	23	LSR330 / 10H _ 23	33.0	6	3426	3084	1370
330.0	H	35	LSR330 / 10H _ 35	33.0	6	2777	2500	1111
330.0	H	40	LSR330 / 10H _ 40	33.0	8	2031	1828	812
330.0	H	50	LSR330 / 10H _ 50	33.0	8	1817	1635	727
330.0	H	60	LSR330 / 10H _ 60	33.0	8	1658	1492	663
330.0	H	100	LSR330 / 10H _ 100	33.0	8	1285	1156	514
330.0	Z	40	LSR330 / 10Z _ 40	33.0	10	2500	2250	1000
330.0	Z	60	LSR330 / 10Z _ 60	33.0	10	2041	1837	816
330.0	Z	100	LSR330 / 10Z _ 100	33.0	10	1581	1423	632
470.0	H	23	LSR470 / 10H _ 23	47.0	6	3426	3084	1370
470.0	H	30	LSR470 / 10H _ 30	47.0	6	3000	2700	1200
470.0	H	45	LSR470 / 10H _ 45	47.0	10	1915	1723	766
470.0	H	50	LSR470 / 10H _ 50	47.0	10	1817	1635	727
470.0	H	60	LSR470 / 10H _ 60	47.0	10	1658	1492	663
470.0	H	100	LSR470 / 10H _ 100	47.0	10	1285	1156	514
470.0	H	200	LSR470 / 10H _ 200	47.0	10	908	817	363
470.0	Z	40	LSR470 / 10Z _ 40	47.0	10	2500	2250	1000
470.0	Z	60	LSR470 / 10Z _ 60	47.0	10	2041	1837	816
470.0	Z	100	LSR470 / 10Z _ 100	47.0	10	1581	1423	632

16 V DC @ 85°C (10 V DC @ 125°C)								
Capacitance (µF)	Case Size	ESR @ 100kHz max. (mΩ)	Nemco Part No.	DCL (µA) max	tan δ max. (%)	Max. Ripple Current @100kHz mA (milliamps)		
						25°C	85°C	125°C
2.2	A	1800	LSR2.2 / 16A _ 1800	0.5	6	204	183	82
2.2	A	3500	LSR2.2 / 16A _ 3500	0.5	6	146	132	59
2.2	BL	2000	LSR2.2 / 16BL _ 2000	0.5	6	200	180	80
3.3	A	3500	LSR3.3 / 16A _ 3500	0.5	6	146	132	59
4.7	A	2000	LSR4.7 / 16A _ 2000	0.8	6	194	174	77
4.7	B	800	LSR4.7 / 16B _ 800	0.8	6	326	293	130
4.7	B	1500	LSR4.7 / 16B _ 1500	0.8	6	238	214	95
6.8	A	1500	LSR6.8 / 16A _ 1500	1.1	6	224	201	89
6.8	B	600	LSR6.8 / 16B _ 600	1.1	6	376	339	151
6.8	B	1200	LSR6.8 / 16B _ 1200	1.1	6	266	240	106
10.0	A	1000	LSR10 / 16A _ 1000	1.6	6	274	246	110
10.0	B	500	LSR10 / 16B _ 500	1.6	6	412	371	165
10.0	B	800	LSR10 / 16B _ 800	1.6	6	326	293	130
10.0	C	500	LSR10 / 16C _ 500	1.6	6	469	422	188
10.0	BL	800	LSR10 / 16BL _ 800	1.6	8	316	285	126
10.0	BL	1000	LSR10 / 16BL _ 1000	1.6	8	283	255	113
10.0	CL	500	LSR10 / 16CL _ 500	1.6	6	424	382	170
10.0	CL	600	LSR10 / 16CL _ 600	1.6	6	387	349	155
15.0	B	500	LSR15 / 16B _ 500	2.4	6	412	371	165
15.0	B	800	LSR15 / 16B _ 800	2.4	6	326	292	130
22.0	B	400	LSR22 / 16B _ 400	3.5	6	461	415	184
22.0	B	600	LSR22 / 16B _ 600	3.5	6	376	339	151
22.0	A	150	LSR22 / 16C _ 150	3.5	6	856	771	343
22.0	A	250	LSR22 / 16C _ 250	3.5	6	663	597	265
22.0	A	300	LSR22 / 16C _ 300	3.5	6	606	545	242
22.0	A	375	LSR22 / 16C _ 375	3.5	6	542	487	217
22.0	CL	500	LSR22 / 16CL _ 500	3.5	6	424	382	170
33.0	B	350	LSR33 / 16B _ 350	5.3	8	493	444	197
33.0	B	500	LSR33 / 16B _ 500	5.3	8	412	371	165
33.0	C	100	LSR33 / 16C _ 100	5.3	6	1049	944	420
33.0	C	150	LSR33 / 16C _ 150	5.3	6	856	771	343
33.0	C	225	LSR33 / 16C _ 225	5.3	6	699	629	280
33.0	C	300	LSR33 / 16C _ 300	5.3	6	606	545	242
33.0	CL	140	LSR33 / 16CL _ 140	5.3	6	802	722	321
33.0	CL	175	LSR33 / 16CL _ 175	5.3	6	717	645	287
33.0	CL	250	LSR33 / 16CL _ 250	5.3	6	600	540	240
33.0	CL	400	LSR33 / 16CL _ 400	5.3	6	474	427	190
33.0	CL	500	LSR33 / 16CL _ 500	5.3	6	424	382	170
33.0	D	200	LSR33 / 16D _ 200	5.3	6	866	779	346
33.0	DL	300	LSR33 / 16DL _ 300	5.3	6	645	581	258
33.0	DL	400	LSR33 / 16DL _ 400	5.3	6	559	503	224

CONT'D ON NEXT PAGE

_ Insert tolerance M(±20%) or K(±10%) to complete the Nemco part number

NEMCO reserves the right to supply a higher voltage rating, tighter tolerance and/or lower ESR in the same case size, to the same reliability standards.

RATINGS AND PART NUMBER REFERENCE

16 V DC @ 85°C (10 V DC @ 125°C) CONT'D								
Capacitance (µF)	Case Size	ESR @ 100kHz max. (mΩ)	Nemco Part No.	DCL (µA) max	tan δ max. (%)	Max. Ripple Current @100kHz mA (milliamps)		
						25°C	85°C	125°C
47.0	C	110	LSR47 / 16C - 110	7.5	6	1000	900	400
47.0	C	350	LSR47 / 16C - 350	7.5	6	561	505	224
47.0	CL	200	LSR47 / 16CL - 200	7.5	6	671	604	268
47.0	D	80	LSR47 / 16D - 80	7.5	6	1369	1232	548
47.0	D	100	LSR47 / 16D - 100	7.5	6	1225	1102	490
47.0	D	150	LSR47 / 16D - 150	7.5	6	1000	900	400
47.0	D	200	LSR47 / 16D - 200	7.5	6	866	779	346
47.0	DL	250	LSR47 / 16DL - 250	7.5	6	707	636	283
68.0	C	125	LSR68 / 16C - 125	10.9	6	938	844	375
68.0	C	200	LSR68 / 16C - 200	10.9	6	742	667	297
68.0	D	40	LSR68 / 16D - 40	10.9	8	2525	2272	1010
68.0	D	50	LSR68 / 16D - 50	10.9	8	2258	2032	903
68.0	D	70	LSR68 / 16D - 70	10.9	6	1464	1317	586
68.0	D	100	LSR68 / 16D - 100	10.9	6	1225	1102	490
68.0	D	150	LSR68 / 16D - 150	10.9	6	1000	900	400
68.0	DL	150	LSR68 / 16DL - 150	10.9	6	913	822	365
68.0	DL	200	LSR68 / 16DL - 200	10.9	6	791	712	316
68.0	DL	250	LSR68 / 16DL - 250	10.9	6	707	636	283
100.0	C	200	LSR100 / 16C - 200	16.0	8	742	667	297
100.0	D	40	LSR100 / 16D - 40	16.0	8	2525	2272	1010
100.0	D	60	LSR100 / 16D - 60	16.0	6	1581	1423	632
100.0	D	50	LSR100 / 16D - 50	16.0	8	2258	2032	903
100.0	D	100	LSR100 / 16D - 100	16.0	6	1225	1102	490
100.0	D	125	LSR100 / 16D - 125	16.0	6	1095	986	438
100.0	D	150	LSR100 / 16D - 150	16.0	6	1000	900	400
100.0	DL	100	LSR100 / 16DL - 100	16.0	8	1118	1006	447
100.0	DL	150	LSR100 / 16DL - 150	16.0	8	913	822	365
100.0	DL	200	LSR100 / 16DL - 200	16.0	8	791	712	316
100.0	H	55	LSR100 / 16H - 55	16.0	6	1732	1559	693
100.0	H	100	LSR100 / 16H - 100	16.0	6	1285	1156	514
100.0	H	125	LSR100 / 16H - 125	16.0	6	1149	1034	460
100.0	H	150	LSR100 / 16H - 150	16.0	6	1049	944	420
150.0	D	60	LSR150 / 16D - 60	24.0	6	1581	1423	632
150.0	D	85	LSR150 / 16D - 85	24.0	6	1328	1196	531
150.0	D	100	LSR150 / 16D - 100	24.0	6	1225	1102	490
150.0	D	125	LSR150 / 16D - 125	24.0	6	1095	986	438
150.0	D	150	LSR150 / 16D - 150	24.0	6	1000	900	400
150.0	DL	200	LSR150 / 16DL - 200	24.0	15	791	712	316
150.0	H	30	LSR150 / 16H - 30	24.0	6	3000	2700	1200
150.0	H	40	LSR150 / 16H - 40	24.0	6	2598	2338	1039
150.0	H	100	LSR150 / 16H - 100	23.0	8	1285	1156	514
150.0	Z	45	LSR150 / 16Z - 45	24.0	8	2357	2121	943
150.0	Z	75	LSR150 / 16Z - 75	24.0	8	1826	1643	730
220.0	H	25	LSR220 / 16H - 25	35.0	6	3286	2958	1315
220.0	H	40	LSR220 / 16H - 40	35.0	6	2598	2338	1039
220.0	H	100	LSR220 / 16H - 100	35.2	10	1285	1156	514
220.0	H	150	LSR220 / 16H - 150	35.2	10	1049	944	420
220.0	Z	50	LSR220 / 16Z - 50	35.2	8	2236	2012	894
220.0	Z	75	LSR220 / 16Z - 75	35.2	8	1826	1643	730
220.0	Z	100	LSR220 / 16Z - 100	35.2	8	1581	1423	632
220.0	Z	150	LSR220 / 16Z - 150	35.2	8	1291	1162	516
330.0	H	200	LSR330 / 16H - 200	52.8	30	908	817	363

_ Insert tolerance M(±20%) or K(±10%) to complete the Nemco part number

NEMCO reserves the right to supply a higher voltage rating, tighter tolerance and/or lower ESR in the same case size, to the same reliability standards.

RATINGS AND PART NUMBER REFERENCE

20V DC @ 85°C (13 V DC @ 125°C)								
Capacitance (µF)	Case Size	ESR @ 100kHz max. (mΩ)	Nemco Part No.	DCL (µA) max	tan δ max. (%)	Max. Ripple Current @100kHz mA (milliamps)		
						25°C	85°C	125°C
1.0	A	3000	LSR1 / 20A - 3000	0.5	4	158	142	63
1.0	AL	6000	LSR1 / 20AL - 6000	0.5	4	104	94	42
1.0	BL	2000	LSR1 / 20BL - 2000	0.5	4	200	180	80
1.0	XL	6000	LSR1 / 20XL - 6000	0.5	4	96	86	38
2.2	A	3000	LSR2.2 / 20A - 3000	0.5	6	158	142	63
3.3	A	2500	LSR3.3 / 20A - 2500	0.7	6	173	156	69
3.3	B	1300	LSR3.3 / 20B - 1300	0.7	6	256	230	102
4.7	A	1800	LSR4.7 / 20A - 1800	0.9	6	204	184	82
4.7	B	750	LSR4.7 / 20B - 750	0.9	6	337	303	135
4.7	B	1000	LSR4.7 / 20B - 1000	0.9	6	292	262	117
6.8	A	1000	LSR6.8 / 20A - 1000	1.4	6	274	246	110
6.8	B	600	LSR6.8 / 20B - 600	1.4	6	376	339	151
6.8	B	1000	LSR6.8 / 20B - 1000	1.4	6	292	262	117
6.8	C	700	LSR6.8 / 20C - 700	1.4	6	396	357	159
10.0	B	500	LSR10 / 20B - 500	2.0	6	412	371	165
10.0	B	1000	LSR10 / 20B - 1000	2.0	6	292	262	117
10.0	C	500	LSR10 / 20C - 500	2.0	6	469	422	188
10.0	C	700	LSR10 / 20C - 700	2.0	6	396	357	159
10.0	CL	250	LSR10 / 20CL - 250	2.0	6	600	540	240
10.0	CL	500	LSR10 / 20CL - 500	2.0	6	424	382	170
15.0	B	500	LSR15 / 20B - 500	3.0	6	412	371	165
15.0	C	400	LSR15 / 20C - 400	3.0	6	524	472	210
15.0	C	450	LSR15 / 20C - 450	3.0	6	494	445	198
22.0	B	400	LSR22 / 20B - 400	4.4	6	461	415	184
22.0	B	600	LSR22 / 20B - 600	4.4	6	376	339	151
22.0	C	100	LSR22 / 20C - 100	4.4	6	1049	944	420
22.0	C	150	LSR22 / 20C - 150	4.4	6	856	771	343
22.0	C	400	LSR22 / 20C - 400	4.4	6	524	472	210
22.0	D	200	LSR22 / 20D - 200	4.4	6	866	779	346
22.0	D	300	LSR22 / 20D - 300	4.4	6	707	636	283
33.0	C	300	LSR33 / 20C - 300	6.6	6	606	545	242
33.0	D	100	LSR33 / 20D - 100	6.6	6	1225	1102	490
33.0	D	200	LSR33 / 20D - 200	6.6	6	866	779	346
47.0	D	45	LSR47 / 20D - 45	9.4	8	2380	2142	952
47.0	D	55	LSR47 / 20D - 55	9.4	8	2153	1938	861
47.0	D	75	LSR47 / 20D - 75	9.4	6	1414	1273	566
47.0	D	100	LSR47 / 20D - 100	9.4	6	1225	1102	490
47.0	D	200	LSR47 / 20D - 200	9.4	6	866	779	346
47.0	H	70	LSR47 / 20H - 70	9.4	6	1535	1382	614
47.0	H	125	LSR47 / 20H - 125	9.4	6	1149	1034	460
47.0	H	150	LSR47 / 20H - 150	9.4	6	1049	944	420
47.0	H	200	LSR47 / 20H - 200	9.4	6	908	817	363
47.0	H	250	LSR47 / 20H - 250	9.4	6	812	731	325
68.0	D	70	LSR68 / 20D - 70	13.6	6	1464	1317	586
68.0	D	150	LSR68 / 20D - 150	13.6	6	1000	900	400
68.0	D	200	LSR68 / 20D - 200	13.6	6	866	779	346
68.0	D	300	LSR68 / 20D - 300	13.6	6	707	636	283
68.0	H	125	LSR68 / 20H - 125	13.6	6	1149	1034	460
68.0	H	150	LSR68 / 20H - 150	13.6	6	1049	944	420
68.0	H	200	LSR68 / 20H - 200	13.6	6	908	817	363
100.0	D	85	LSR100 / 20D - 85	20.0	6	1328	1196	531
100.0	D	100	LSR100 / 20D - 100	20.0	6	1225	1102	490
100.0	D	150	LSR100 / 20D - 150	20.0	6	1000	900	400
100.0	H	35	LSR100 / 20H - 35	20.0	6	2777	2500	1111
100.0	H	45	LSR100 / 20H - 45	20.0	6	2449	2205	980
100.0	H	100	LSR100 / 20H - 100	20.0	6	1285	1156	514
100.0	H	150	LSR100 / 20H - 150	20.0	6	1049	944	420
100.0	H	200	LSR100 / 20H - 200	20.0	6	908	817	363
100.0	Z	60	LSR100 / 20Z - 60	20.0	8	2041	1837	816
100.0	Z	85	LSR100 / 20Z - 85	20.0	8	1715	1543	686
100.0	Z	100	LSR100 / 20Z - 100	20.0	8	1581	1423	632
100.0	Z	200	LSR100 / 20Z - 200	20.0	8	1118	1006	447
150.0	H	35	LSR150 / 20H - 35	30.0	10	2777	2500	1111
150.0	Z	80	LSR150 / 20Z - 80	30.0	8	1768	1591	707

— Insert tolerance M(±20%) or K(±10%) to complete the Nemco part number
 NEMCO reserves the right to supply a higher voltage rating, tighter tolerance and/or lower ESR in the same case size, to the same reliability standards.

RATINGS AND PART NUMBER REFERENCE

25V DC @ 85°C (17 V DC @ 125°C)								
Capacitance (µF)	Case Size	ESR @ 100kHz max. (mΩ)	Nemco Part No.	DCL (µA) max	tan δ max. (%)	Max. Ripple Current @100kHz mA (milliamps)		
						25°C	85°C	125°C
0.47	A	7000	LSR.47 / 25A _ 7000	0.5	4	104	93	41
0.68	A	6000	LSR.68 / 25A _ 6000	0.5	4	112	101	45
1.0	A	4000	LSR1.0 / 25A _ 4000	0.5	4	137	123	55
1.0	XL	2500	LSR1 / 25XL _ 2500	0.5	4	148	133	59
1.0	XL	4000	LSR1 / 25XL _ 4000	0.5	4	117	106	47
1.5	A	3000	LSR1.5 / 25A _ 3000	0.5	6	158	142	63
1.5	B	1800	LSR1.5 / 25B _ 1800	0.5	6	217	196	87
2.2	B	900	LSR2.2 / 25B _ 900	0.6	6	307	277	123
2.2	B	1200	LSR2.2 / 25B _ 1200	0.6	6	266	240	106
2.2	B	2500	LSR2.2 / 25B _ 2500	0.6	6	184	166	74
3.3	A	1000	LSR3.3 / 25A _ 1000	0.8	6	274	246	110
3.3	A	1500	LSR3.3 / 25A _ 1500	0.8	6	224	201	89
3.3	B	750	LSR3.3 / 25B _ 750	0.8	6	337	303	135
3.3	B	1500	LSR3.3 / 25B _ 1500	0.8	6	238	214	95
3.3	B	2000	LSR3.3 / 25B _ 2000	0.8	6	206	186	82
4.7	B	700	LSR4.7 / 25B _ 700	1.2	6	348	314	139
4.7	B	900	LSR4.7 / 25B _ 900	1.2	6	307	277	123
4.7	B	1500	LSR4.7 / 25B _ 1500	1.2	6	238	214	95
6.8	B	700	LSR6.8 / 25B _ 700	1.7	6	348	314	139
6.8	C	500	LSR6.8 / 25C _ 500	1.7	6	469	422	188
6.8	C	600	LSR6.8 / 25C _ 600	1.7	6	428	385	171
6.8	C	700	LSR6.8 / 25C _ 700	1.7	6	396	357	159
10.0	B	1800	LSR10 / 25B _ 1800	2.5	6	217	196	87
10.0	C	300	LSR10 / 25C _ 300	2.5	6	606	545	242
10.0	C	500	LSR10 / 25C _ 500	2.5	6	469	422	188
15.0	C	220	LSR15 / 25C _ 220	3.8	6	707	636	283
15.0	C	300	LSR15 / 25C _ 300	3.8	6	606	545	242
15.0	D	100	LSR15 / 25D _ 100	3.8	6	1225	1102	490
15.0	D	300	LSR15 / 25D _ 300	3.8	6	707	636	283
22.0	C	275	LSR22 / 25C _ 275	5.5	6	632	569	253
22.0	C	400	LSR22 / 25C _ 400	5.5	6	524	472	210
22.0	D	100	LSR22 / 25D _ 100	5.5	6	1225	1102	490
22.0	D	200	LSR22 / 25D _ 200	5.5	6	866	779	346
22.0	D	300	LSR22 / 25D _ 300	5.5	6	707	636	283
33.0	D	65	LSR33 / 25D _ 65	8.3	8	1981	1783	792
33.0	D	100	LSR33 / 25D _ 100	8.3	6	1225	1102	490
33.0	D	200	LSR33 / 25D _ 200	8.3	6	866	779	346
33.0	D	300	LSR33 / 25D _ 300	8.3	6	707	636	283
33.0	DL	200	LSR33 / 25DL _ 200	8.3	6	791	712	316
33.0	H	100	LSR33 / 25H _ 100	8.3	6	1285	1156	514
33.0	H	175	LSR33 / 25H _ 175	8.3	6	971	874	388
33.0	H	200	LSR33 / 25H _ 200	8.3	6	908	817	363
33.0	H	300	LSR33 / 25H _ 300	8.3	6	742	667	297
47.0	D	55	LSR47 / 25D _ 55	11.8	8	2153	1938	861
47.0	D	125	LSR47 / 25D _ 125	11.8	6	1095	986	438
47.0	D	150	LSR47 / 25D _ 150	11.8	6	1000	900	400
47.0	D	250	LSR47 / 25D _ 250	11.8	6	775	697	310
47.0	H	65	LSR47 / 25H _ 65	11.8	6	2038	1834	815
47.0	H	80	LSR47 / 25H _ 80	11.8	6	1436	1293	574
47.0	H	100	LSR47 / 25H _ 100	11.8	6	1285	1156	514
47.0	H	125	LSR47 / 25H _ 125	11.8	6	1149	1034	460
68.0	H	45	LSR68 / 25H _ 45	17.0	6	2449	2205	980
68.0	H	55	LSR68 / 25H _ 55	17.0	6	2216	1994	886
68.0	H	125	LSR68 / 25H _ 125	17.0	6	1149	1034	459
68.0	H	200	LSR68 / 25H _ 200	17.0	6	908	817	363
68.0	Z	80	LSR68 / 25Z _ 80	17.0	6	1768	1591	707
68.0	Z	95	LSR68 / 25Z _ 95	17.0	8	1622	1460	649
68.0	Z	150	LSR68 / 25Z _ 150	17.0	8	1291	1162	516
68.0	Z	200	LSR68 / 25Z _ 200	17.0	6	1118	1006	447
100.0	H	150	LSR100 / 25H _ 150	25.0	10	1049	944	420
100.0	Z	100	LSR100 / 25Z _ 100	25.0	8	1581	1423	632
150.0	Z	150	LSR150 / 25Z _ 150	37.5	10	1291	1162	516

_ Insert tolerance M(±20%) or K(±10%) to complete the Nemco part number
 NEMCO reserves the right to supply a higher voltage rating, tighter tolerance and/or lower ESR in the same case size, to the same reliability standards.

RATINGS AND PART NUMBER REFERENCE

35V DC @ 85°C (23 V DC @ 125°C)									
Capacitance (µF)	Case Size	ESR @ 100kHz max. (mΩ)	Nemco Part No.	DCL (µA) max	tan δ max. (%)	Max. Ripple Current @100kHz mA (milliamps)			
						25°C	85°C	125°C	
0.22	A	6000	LSR.22 / 35A - 6000	0.5	4	112	101	45	
0.33	A	6000	LSR.33 / 35A - 6000	0.5	4	112	101	45	
0.47	A	6000	LSR.47 / 35A - 6000	0.5	4	112	101	45	
0.47	B	4000	LSR.47 / 35B - 4000	0.5	4	146	131	58	
0.68	A	6000	LSR.68 / 35A - 6000	0.5	4	112	101	45	
1.0	A	3000	LSR1 / 35A - 3000	0.5	4	158	142	63	
1.0	B	2000	LSR1 / 35B - 2000	0.5	4	206	186	82	
1.5	B	2500	LSR1.5 / 35B - 2500	0.5	6	184	166	74	
2.2	A	1500	LSR2.2 / 35A - 1500	0.8	6	224	201	89	
2.2	B	750	LSR2.2 / 35B - 750	0.8	6	337	303	135	
2.2	B	1500	LSR2.2 / 35B - 1500	0.8	6	238	214	95	
2.2	B	2000	LSR2.2 / 35B - 2000	0.8	6	206	186	82	
2.2	C	1000	LSR2.2 / 35C - 1000	0.8	6	332	298	133	
3.3	B	1000	LSR3.3 / 35B - 1000	1.2	6	292	262	117	
3.3	C	700	LSR3.3 / 35C - 700	1.2	6	396	357	159	
4.7	B	700	LSR4.7 / 35B - 700	1.6	6	348	314	139	
4.7	B	1500	LSR4.7 / 35B - 1500	1.6	6	238	214	95	
4.7	C	600	LSR4.7 / 35C - 600	1.6	6	428	385	171	
4.7	D	700	LSR4.7 / 35D - 700	1.6	6	463	417	185	
6.8	C	350	LSR6.8 / 35C - 350	2.4	6	561	505	224	
6.8	D	150	LSR6.8 / 35D - 150	2.4	6	1000	900	400	
6.8	D	400	LSR6.8 / 35D - 400	2.4	6	612	551	245	
6.8	D	500	LSR6.8 / 35D - 500	2.4	6	548	493	219	
10.0	D	125	LSR10 / 35D - 125	3.5	6	1095	986	438	
10.0	D	300	LSR10 / 35D - 300	3.5	6	707	636	283	
10.0	DL	250	LSR10 / 35DL - 250	3.5	6	707	636	283	
10.0	H	200	LSR10 / 35H - 200	3.5	6	908	817	363	
15.0	C	350	LSR15 / 35C - 350	5.3	6	561	505	224	
15.0	C	450	LSR15 / 35C - 450	5.3	6	494	445	198	
15.0	D	100	LSR15 / 35D - 100	5.3	6	1225	1102	490	
15.0	D	300	LSR15 / 35D - 300	5.3	6	707	636	283	
15.0	DL	250	LSR15 / 35DL - 250	5.3	6	707	636	283	
22.0	D	70	LSR22 / 35D - 70	7.7	8	1909	1718	763	
22.0	D	125	LSR22 / 35D - 125	7.7	6	1095	986	438	
22.0	D	200	LSR22 / 35D - 200	7.7	6	866	779	346	
22.0	D	300	LSR22 / 35D - 300	7.7	6	707	636	283	
22.0	D	400	LSR22 / 35D - 400	7.7	6	612	551	245	
22.0	DL	200	LSR22 / 35DL - 200	7.7	6	791	712	316	
22.0	H	60	LSR22 / 35H - 60	8.0	6	2121	1909	849	
22.0	H	100	LSR22 / 35H - 100	8.0	6	1643	1479	657	
22.0	H	125	LSR22 / 35H - 125	7.7	6	1149	1034	460	
22.0	H	200	LSR22 / 35H - 200	7.7	6	908	817	363	
22.0	H	300	LSR22 / 35H - 300	7.7	6	742	667	297	
33.0	D	200	LSR33 / 35D - 200	11.6	6	866	779	346	
33.0	D	300	LSR33 / 35D - 300	11.6	6	707	636	283	
33.0	H	50	LSR33 / 35H - 50	12.0	6	2324	2091	930	
33.0	H	65	LSR33 / 35H - 65	12.0	6	2038	1834	815	
33.0	H	100	LSR33 / 35H - 100	11.6	6	1285	1156	514	
33.0	H	250	LSR33 / 35H - 250	11.6	6	812	731	325	
33.0	H	300	LSR33 / 35H - 300	11.6	6	742	667	297	
33.0	Z	200	LSR33 / 35Z - 200	11.6	6	1118	1006	447	
47.0	H	55	LSR47 / 35H - 55	16.0	6	2216	1994	886	
47.0	H	65	LSR47 / 35H - 65	16.0	6	2038	1834	815	
47.0	H	200	LSR47 / 35H - 200	16.5	6	908	817	363	
47.0	H	250	LSR47 / 35H - 250	16.5	6	812	731	325	
47.0	Z	150	LSR47 / 35Z - 150	16.5	6	1291	1162	516	
47.0	Z	200	LSR47 / 35Z - 200	16.5	6	1118	1006	447	
68.0	Z	150	LSR68 / 35Z - 150	23.8	6	1291	1162	516	
68.0	Z	200	LSR68 / 35Z - 200	23.8	6	1118	1006	447	

_ Insert tolerance M(±20%) or K(±10%) to complete the Nemco part number
 NEMCO reserves the right to supply a higher voltage rating, tighter tolerance and/or lower ESR in the same case size, to the same reliability standards.

RATINGS AND PART NUMBER REFERENCE

50V DC @ 85°C (33 V DC @ 125°C)								
Capacitance (µF)	Case Size	ESR @ 100kHz max. (mΩ)	Nemco Part No.	DCL (µA) max	tan δ max. (%)	Max. Ripple Current @100kHz mA (milliamps)		
						25°C	85°C	125°C
0.15	A	9000	LSR.15 / 50A _ 9000	0.5	4	91	82	37
0.22	A	7000	LSR.22 / 50A _ 7000	0.5	4	104	93	41
0.47	C	2300	LSR.47 / 50C _ 2300	0.5	4	219	197	87
1.0	C	2500	LSR1 / 50C _ 2500	0.5	4	210	189	84
1.5	C	1500	LSR1.5 / 50C _ 1500	0.8	6	271	244	108
1.5	C	2000	LSR1.5 / 50C _ 2000	0.8	6	235	211	94
2.2	D	1200	LSR2.2 / 50D _ 1200	1.1	6	354	318	141
3.3	D	800	LSR3.3 / 50D _ 800	1.7	6	433	390	173
4.7	D	300	LSR4.7 / 50D _ 300	2.4	6	707	636	283
4.7	D	500	LSR4.7 / 50D _ 500	2.4	6	548	493	219
4.7	D	700	LSR4.7 / 50D _ 700	2.4	6	463	417	185
6.8	D	200	LSR6.8 / 50D _ 200	3.4	6	866	779	346
6.8	D	300	LSR6.8 / 50D _ 300	3.4	6	707	636	283
6.8	D	500	LSR6.8 / 50D _ 500	3.4	6	548	493	219
6.8	D	600	LSR6.8 / 50D _ 600	3.4	6	500	450	200
10.0	D	140	LSR10 / 50D _ 140	5.0	8	1350	1215	540
10.0	H	120	LSR10 / 50H _ 120	5.0	6	1500	1350	600
10.0	H	250	LSR10 / 50H _ 250	5.0	6	812	731	325
10.0	H	300	LSR10 / 50H _ 300	5.0	6	742	667	297
10.0	H	500	LSR10 / 50H _ 500	5.0	6	574	517	230
15.0	H	75	LSR15 / 50H _ 75	7.5	6	1897	1708	759
15.0	H	100	LSR15 / 50H _ 100	7.5	6	1643	1479	657
15.0	H	250	LSR15 / 50H _ 250	7.5	6	812	731	325
15.0	Z	250	LSR15 / 50Z _ 250	7.5	6	1000	900	400
22.0	H	75	LSR22 / 50H _ 75	11.0	8	1897	1708	759
22.0	H	100	LSR22 / 50H _ 100	11.0	8	1643	1479	657

_ Insert tolerance M(±20%) or K(±10%) to complete the Nemco part number
 NEMCO reserves the right to supply a higher voltage rating, tighter tolerance and/or lower ESR in the same case size, to the same reliability standards.

PACKAGING REFERENCE

CASE SIZE	CASE SIZE	STANDARD PACKAGING	AVAILABLE
NEMCO	EIA IECQ	7" Reel Quantity	13" Reel Quantity
A	3216-18	2000	8000
B	3528-21	2000	8000
C	6032-28	500	3000
D	7343-31	500	2500
H	7343-43	400	1500
Z	7361-37	400	1500
<u>Low Profile Sizes</u>			
XL	2012-12	2500	10000
AL	3216-12	2500	10000
BL	3528-12	2500	10000
CL	6032-15	1000	5000
DL	7343-20	1000	5000