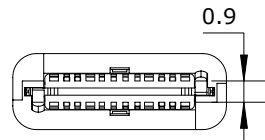
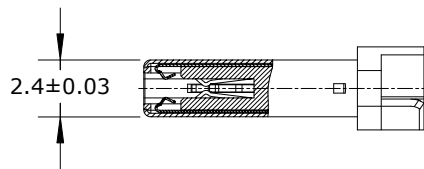
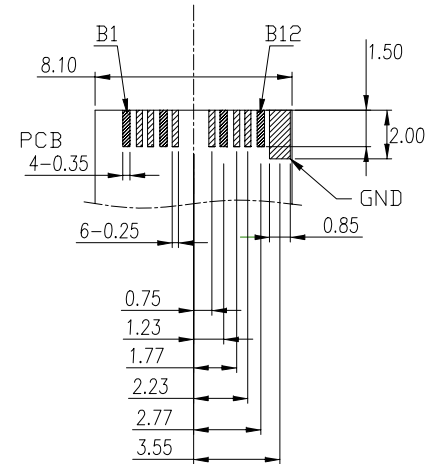
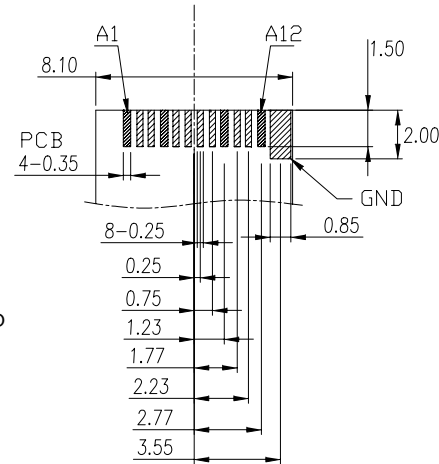
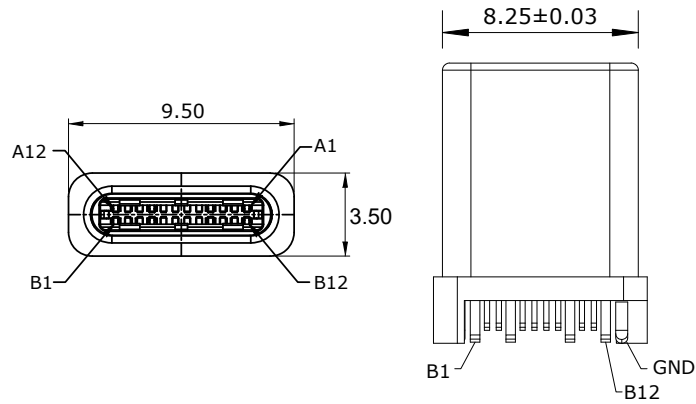
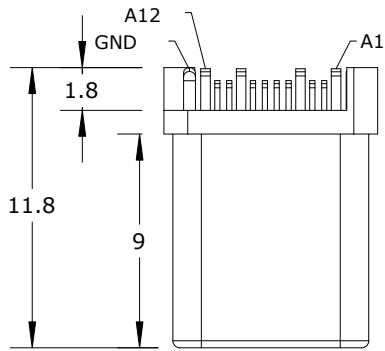


# SCNUS - UC - 124SGM - SOVPM

Suntsu Connector      USB      Number of Ports      Contact Plating Selective Gold      Termination Style Solder      Mounting Style PCB Mount  
 Connector      USB-C      Number of Contacts      Male      Mounting Angle Vertical



**Specification**  
 Current Rating: 5 AMP For VBUS Pin  
 1.25 AMP For VCONN Pin  
 Contact Resistance: 40mΩ Max.  
 Insulation Resistance: 100MΩ Min.  
 Dielectric Voltage: 100V AC for one minute  
 Operation Temperature: -25°C to 85°C  
 Insertion Force: 5N ~ 20N  
 Unmating Force: 8N ~ 20N



**USB TYPE C 3.1  
 MALE CONNECTOR**

Document History				Part No.	REV.	Drawn	Page
Edits Made	Date	Edited By	Approved By	SCNUS-UC-124SGM-SOVPM	A	B. Gibbons	01/26/2021
Initial Release	01/26/2021	B. Gibbons	KH Mun	Drawing No.	SCALE	Checked	
				GW062-GA513	None		1 / 1
				Tolerance	UNIT	Approved	
				.X ±0.30	mm		
				.XX ±0.20			