

Features
<ul style="list-style-type: none"> <li>Robustly constructed</li> <li>Nickel plated solid brass actuator</li> <li>Electrical life 20,000 cycles</li> <li>Mechanical life 100,000 cycles</li> </ul>

Applications
<ul style="list-style-type: none"> <li>Audio products</li> <li>Industry</li> <li>Medical</li> </ul>



### Part Numbering Guide

**S SW FS - S01 - B B 05 - HWH**

SUNTSU

SWITCH

FOOT SWITCH

SERIES NUMBER

ACCESSORIES

H : Hex Nut  
W : Spring Washer  
L : Lock Washer  
F : Flat Washer

TERMINAL CODE


05 : Solder Type

BUSHING AND BUTTON SPEC

B : Button 10.8Ø, Bushing 14.3mm

SWITCH FUNCTION

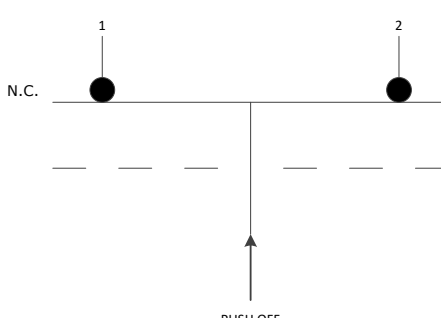
B : SPST ON-(OFF)

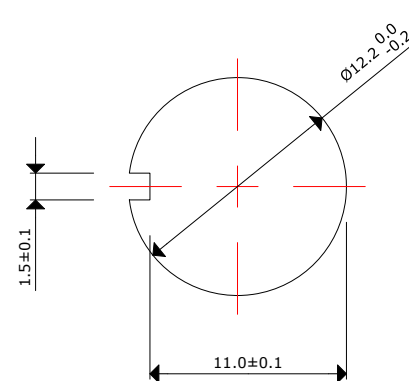


Cage Code: 4GUT4

Electrical and Material Parameters	
Rating	6A 125V AC, 3A 250VAC
Contact Resistance	50mΩ Max
Insulation Resistance	DC 500V 100MΩ Min.
Dielectric Strength	AC 1500V 1 minute
Operation Temperature	-20°C ~ 65°C
Switch Function	2P SPST ON-(OFF), PUSH OFF
Accessories	2 HEX Nut & 1 SPRING Washer Assembly
Frame	Black, PF
Materials Actuator	Ni-plated, Brass
Terminals	Silver plated, Copper Alloy

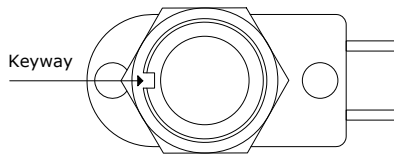
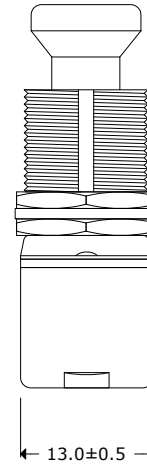
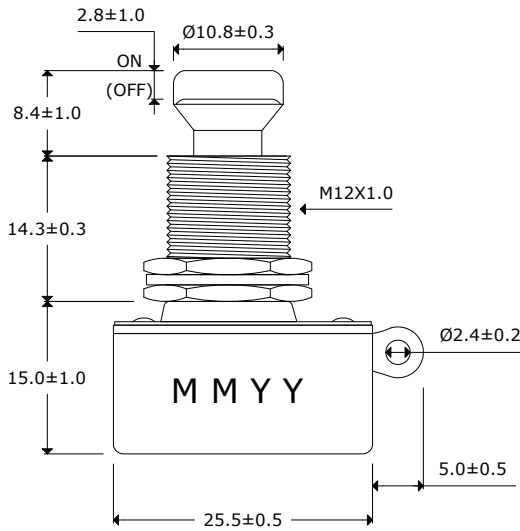
### Test Circuit & Mounting Hole



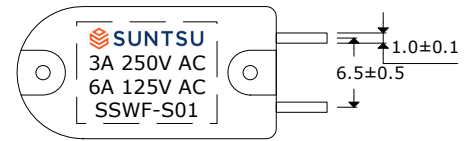


Outline Drawing

All dimensions are in millimeters (mm) unless otherwise noted. Drawings are not to scale.



Top View



Bottom View

Remarks:

1. 500pcs per 1 master carton
2. Electrical life 20,000 cycles
3. Mechanical life 100,000 cycles
4. Soldering ability of terminal:
  - a. Be soldered in 3 seconds.
  - b. Be soldered in 360±20°C