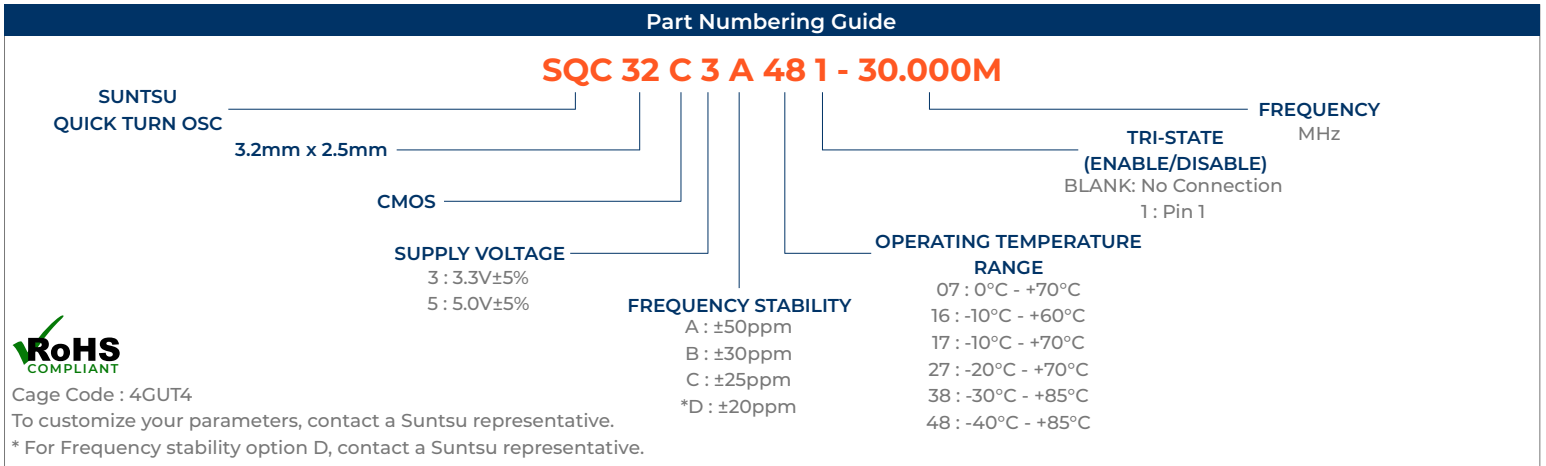
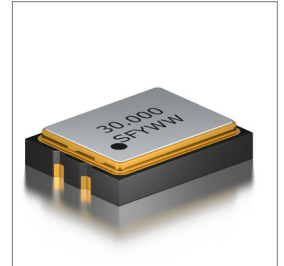


Features
• ± 25 ppm (Frequency Stability) Available
• Ceramic Package 4 Pad
• CMOS
• Programmed Oscillator
• Tape and Reel

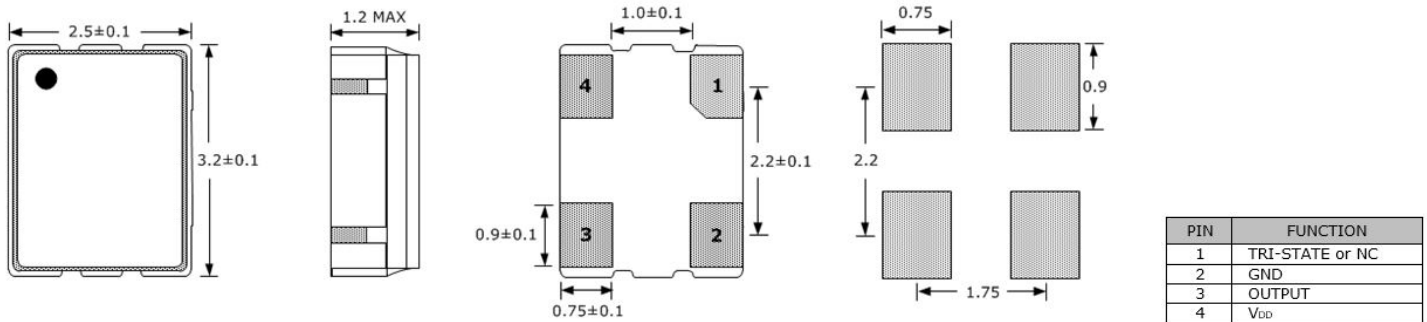
Applications
• Micro Processors
• FPGA
• Storage Area/Networking
• Digital Video
• Portable Computers



Electrical Parameters	Units	Minimum	Typical	Maximum	Remarks
Frequency Range	MHz	1		133	
Frequency Stability (Includes Initial Tolerance at 25°C, Frequency Stability over Operating Temperature, Output Load Change, Supply Voltage Change, and First Year Aging at 25°C.)	ppm	-20		+20	See part numbering guide for options
Operating Temperature	°C	-40		+85	See part numbering guide for options
Storage Temperature	°C	-55		+125	
Supply Voltage (V _{DD}) - 3.3V option	V	3.135	3.3	3.465	
Supply Voltage (V _{DD}) - 5.0V option	V	4.750	5.0	5.250	
Current (I _{DD}) - 3.3V option	mA			25	
Current (I _{DD}) - 5.0V option	mA			45	
Output Load (CMOS)	pF			15	
Output Logic Levels High (V _{OH})	V	0.9*V _{DD}			
Output Logic Levels Low (V _{OL})	V			0.1*V _{DD}	
Rise (TR) and Fall (TF) Time	ns			4	
Symmetry (Duty Cycle)	%	45	50	55	
Tri-State Input Voltage(3.3V) - Enable	V	0.7*V _{DD}			No Connection
Tri-State Input Voltage(3.3V) - Disable	V			0.3*V _{DD}	
Tri-State Input Voltage(5.0V) - Enable	V	2.0			No Connection
Tri-State Input Voltage(5.0V) - Disable	V			0.8	
Start-Up Time	ms			10	
Phase Jitter (12kHz ~ 20MHz)	ps			11	

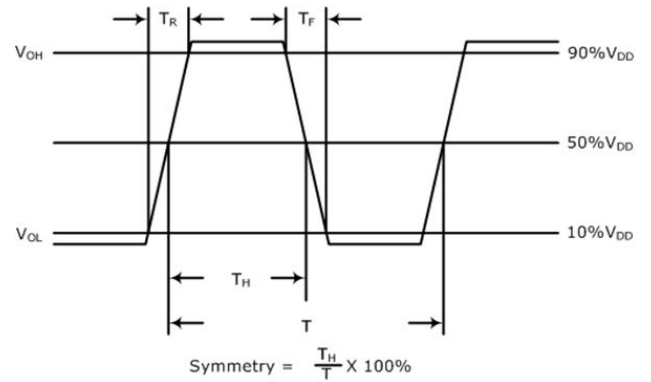
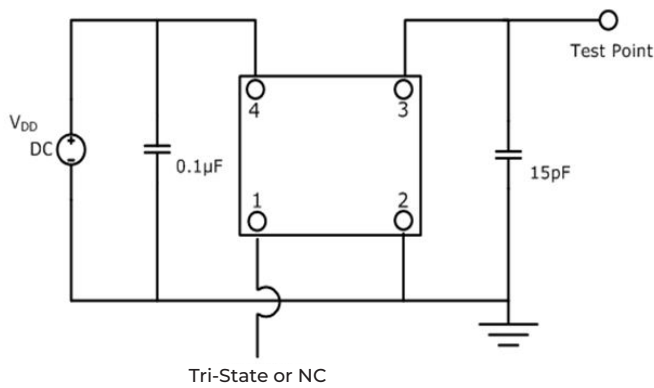
Outline Drawing & Land Pattern

All dimensions are in millimeters (mm) unless otherwise noted. Drawings are not to scale.

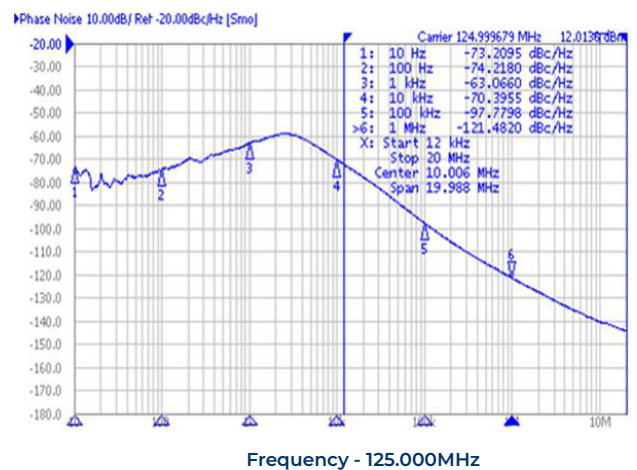
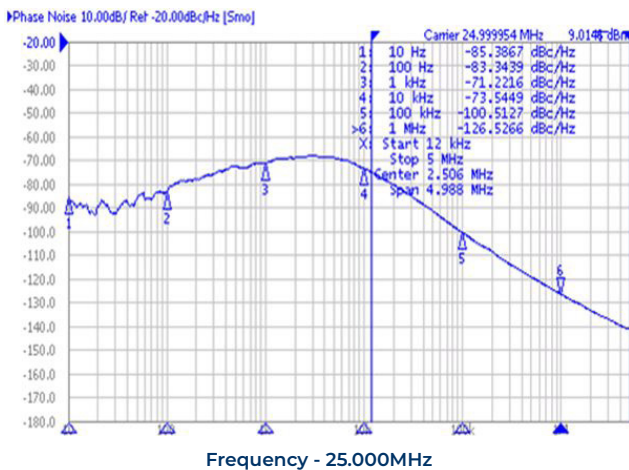


Test Circuit (CMOS)

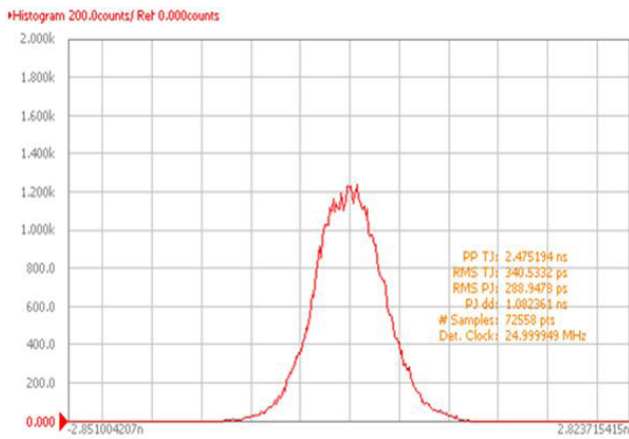
Waveform (CMOS)



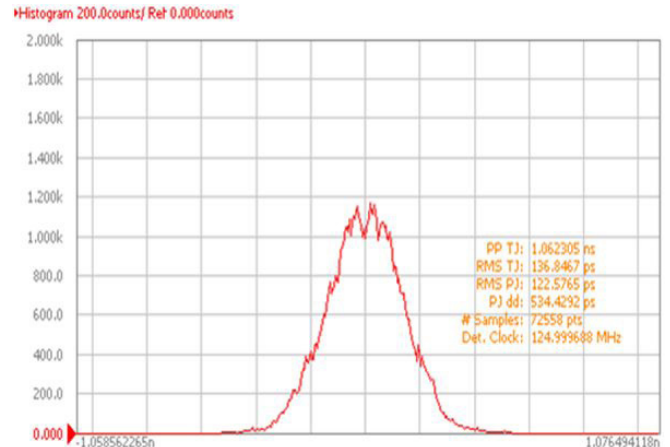
Typical Phase Noise Performance (Measured By Agilent E5052A)



Typical Jitter Performance (Measured By Agilent E5052A)

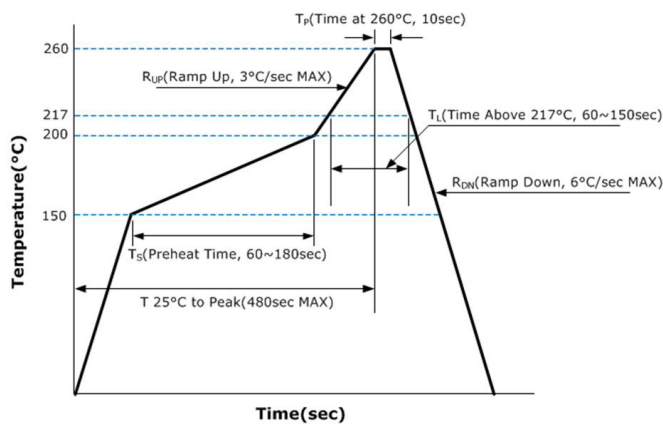


Frequency - 25.000MHz

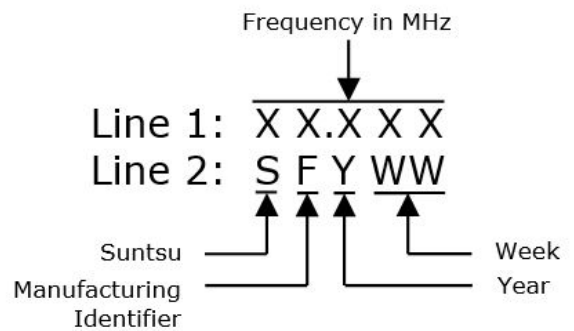


Frequency - 125.000MHz

Reflow Profile



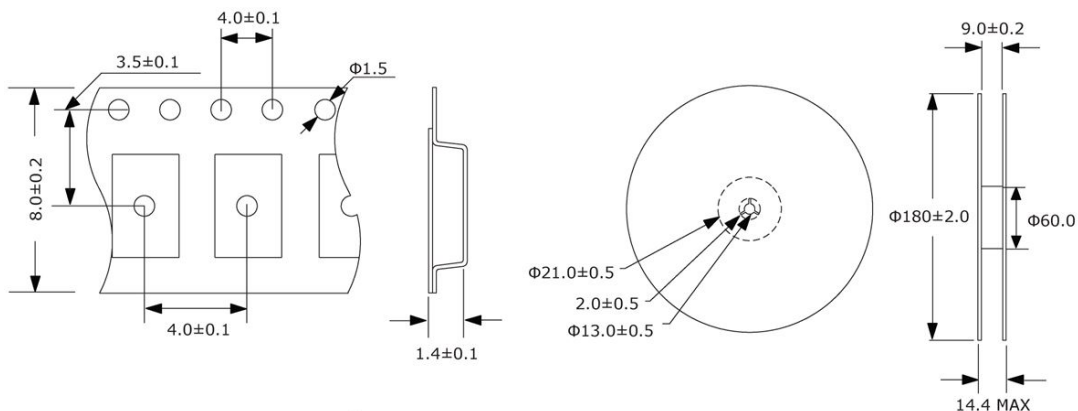
Part Marking



Tape And Reel Dimensions

All dimensions are in millimeters (mm) unless otherwise noted. Drawings are not to scale.

1,000pcs/Reel



Environmental Specifications		Mechanical Specifications	
Temperature Cycling	MIL-STD-883, Method 1010, Condition B	Mechanical Shock	MIL-STD-202, Method 213, Condition B
Fine Leak Test	MIL-STD-883, Method 1014, Condition A	Vibration	MIL-STD-883, Method 2007, Condition A
Gross Leak Test	MIL-STD-883, Method 1014, Condition C	Moisture Resistance	MIL-STD-883, Method 1004
Solderability	MIL-STD-883, Method 2003	Resistance to Solvents	MIL-STD-202, Method 215
Moisture Sensitivity	J-STD-020, MSL 1	Resistance to Soldering Heat	MIL-STD-202, Method 210, Condition K