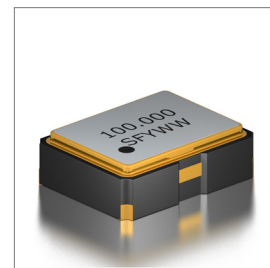


Features
<ul style="list-style-type: none"> • ± 20ppm (Frequency Stability) Available • Ceramic Package • LVDS • Tape and Reel • Ultra Low Phase Jitter

Applications
<ul style="list-style-type: none"> • Fiber Channel • Gigabit Ethernet • PCI Express


Part Numbering Guide
SUO 22 L 3 A 48 1 - 100.000M

 SUNTSU ULTRA
LOW JITTER OSC

2.5mm x 2.0mm

LVDS

SUPPLY VOLTAGE

 1 : 1.8V \pm 5%

 2 : 2.5V \pm 5%

 3 : 3.3V \pm 5%

FREQUENCY STABILITY

 A : ± 50 ppm

 B : ± 30 ppm

 C : ± 25 ppm

 *D : ± 20 ppm

OPERATING TEMPERATURE

RANGE

07 : 0°C - +70°C

16 : -10°C - +60°C

17 : -10°C - +70°C

27 : -20°C - +70°C

38 : -30°C - +85°C

48 : -40°C - +85°C

 FREQUENCY
MHz

 TRI-STATE
(ENABLE/DISABLE)

1 : Pin 1

2 : Pin 2



Cage Code : 4GUT4

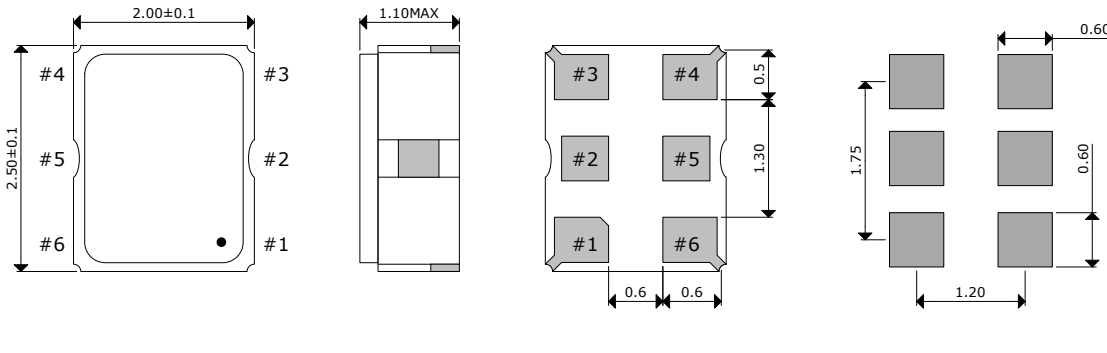
To customize your parameters, contact a Suntsu representative.

* For Frequency stability option D, contact a Suntsu representative.

Electrical Parameters	Units	Minimum	Typical	Maximum	Remarks
Frequency Range	MHz	13.5		156.25	
Frequency Stability (Includes Initial Tolerance at 25°C, Frequency Stability over Operating Temperature, Output Load Change, Supply Voltage Change, and First Year Aging at 25°C.)	ppm	-20		+20	See part numbering guide for options
Operating Temperature	°C	-40		+85	See part numbering guide for options
Storage Temperature	°C	-55		+125	
Supply Voltage (V _{DD}) - 1.8V Option	V	1.710	1.8	1.890	
Supply Voltage (V _{DD}) - 2.5V Option	V	2.375	2.5	2.625	
Supply Voltage (V _{DD}) - 3.3V Option	V	3.135	3.3	3.465	
Current (I _{DD}) - 1.8V Option	mA			40	
Current (I _{DD}) - 2.5V Option	mA			40	
Current (I _{DD}) - 3.3V Option	mA			40	
Output Load (LVDS)	Ω			100	
Output Logic Levels High (V _{OH})	V		1.43	1.6	
Output Logic Levels Low (V _{OL})	V	0.9	1.1		
Differential Output Voltage (V _{OD})	mV	247	330	454	
Differential Output Error (ρ V _{OD})	mV			50	
Offset Voltage (V _{OS})	V	1.125	1.250	1.375	
Offset Error (ρ V _{OS})	mV			50	
Rise (TR) and Fall (TF) Time	ns			1	20% - 80% Output Swing Level
Symmetry (Duty Cycle)	%	45	50	55	
Tri-State Input Voltage - Enable	V	0.7*V _{DD}			No Connection
Tri-State Input Voltage - Disable	V			0.3*V _{DD}	
Start-Up Time	ms			10	
Phase Jitter (12kHz ~ 5MHz)	ps		0.6	1.0	Freq. <40.000M
Phase Jitter (12kHz ~ 20MHz)	ps		0.4	0.8	Freq. 40.000M - 124.999M
Phase Jitter (12kHz ~ 20MHz)	ps		0.1	0.2	Freq. 125.000M - 156.250M

Outline Drawing & Land Pattern

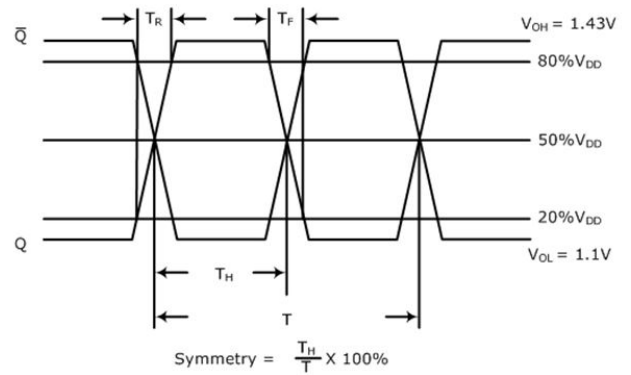
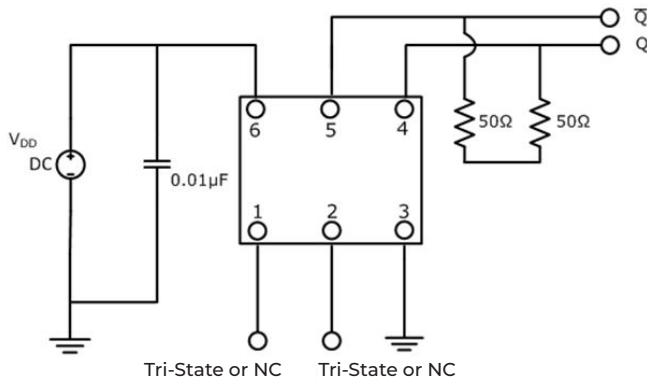
All dimensions are in millimeters (mm) unless otherwise noted. Drawings are not to scale.



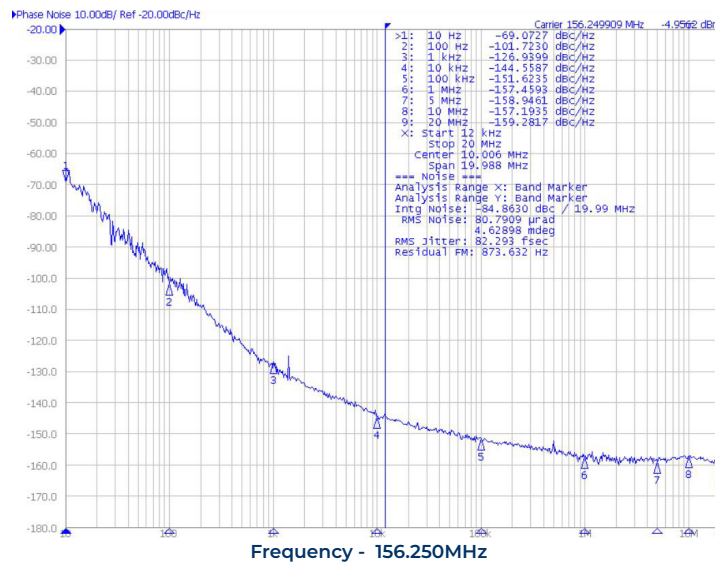
PIN	FUNCTION
1	TRI-STATE or NC
2	NC
3	GND
4	OUTPUT
5	COMP OUTPUT
6	V _{DD}

Test Circuit (LVDS)

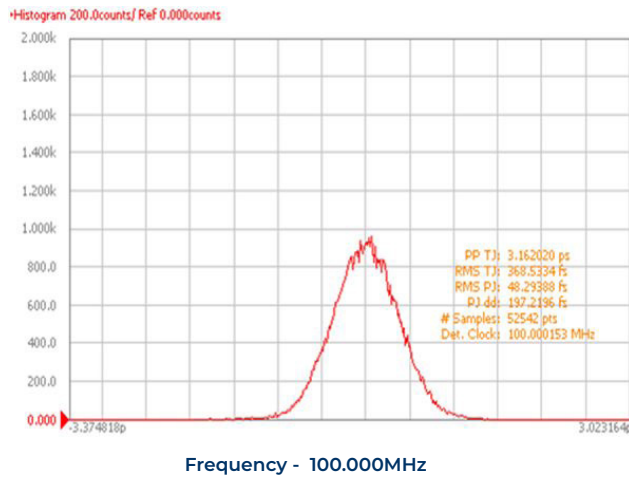
Waveform (LVDS)



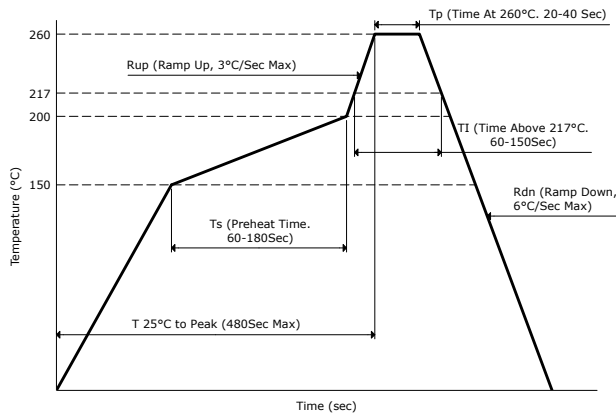
Typical Phase Noise Performance (Measured By Agilent E5052A)



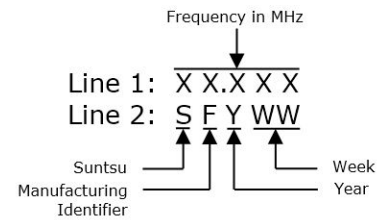
Typical Jitter Performance (Measured By Agilent E5052A)



Reflow Profile



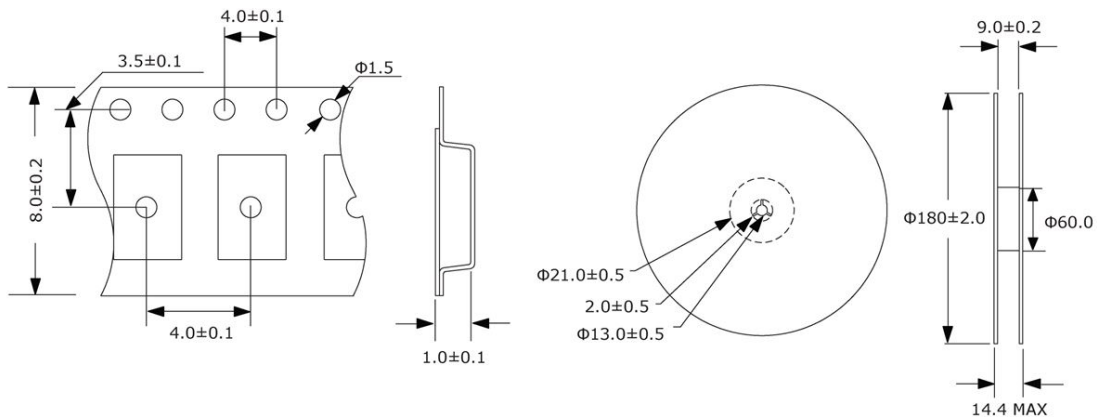
Part Marking



Tape And Reel Dimensions

All dimensions are in millimeters (mm) unless otherwise noted. Drawings are not to scale.

3,000pcs/Reel



Environmental Specifications		Mechanical Specifications	
Temperature Cycling	MIL-STD-883, Method 1010, Condition B	Mechanical Shock	MIL-STD-202, Method 213, Condition B
Fine Leak Test	MIL-STD-883, Method 1014, Condition A	Vibration	MIL-STD-883, Method 2007, Condition A
Gross Leak Test	MIL-STD-883, Method 1014, Condition C	Moisture Resistance	MIL-STD-883, Method 1004
Solderability	MIL-STD-883, Method 2003	Resistance to Solvents	MIL-STD-202, Method 215
Moisture Sensitivity	J-STD-020, MSL 1	Resistance to Soldering Heat	MIL-STD-202, Method 210, Condition K