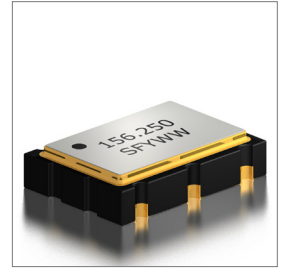


Features
• $\pm 20$ ppm (Frequency Stability) Available
• Ceramic Package
• LVPECL
• Ultra Low Phase Jitter (47fs Typical)
• Tape and Reel
• Fundamental or 3rd Overtone Crystal Design

Applications
• Fiber Channel
• Gigabit Ethernet
• PCI Express



### Part Numbering Guide

**SUO 75 P 3 A 48 1 - 156.250M**

**SUNTSU ULTRA LOW JITTER OSC**  
7.0mm x 5.0mm

**LVPECL**

**SUPPLY VOLTAGE**  
2: 2.5V $\pm$ 5%  
3: 3.3V $\pm$ 5%

**FREQUENCY STABILITY**  
A:  $\pm 50$ ppm  
B:  $\pm 30$ ppm  
C:  $\pm 25$ ppm  
\*D:  $\pm 20$ ppm

**OPERATING TEMPERATURE RANGE**  
07: 0°C - +70°C  
16: -10°C - +60°C  
17: -10°C - +70°C  
27: -20°C - +70°C  
38: -30°C - +85°C  
48: -40°C - +85°C

**FREQUENCY**  
MHz

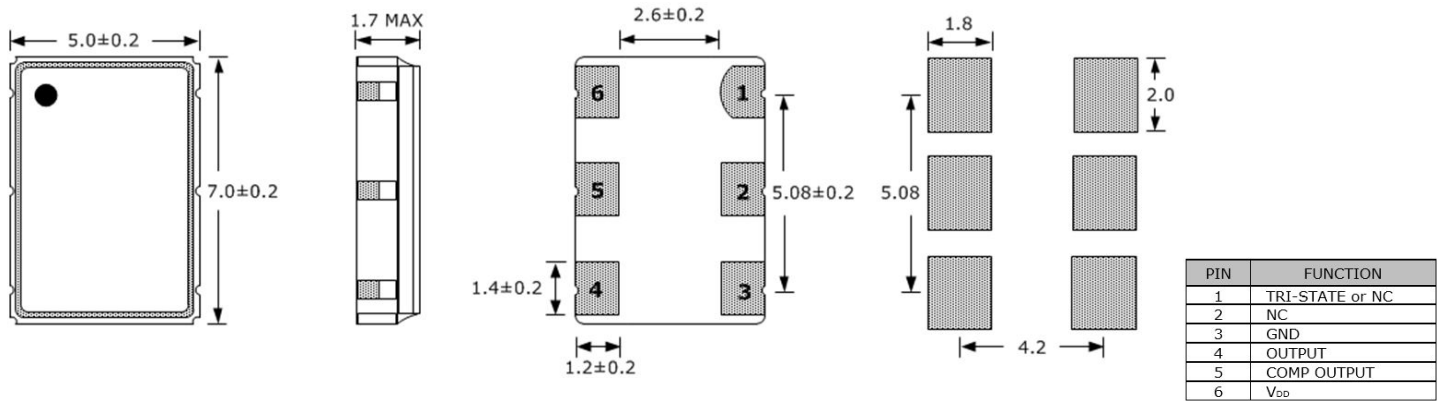
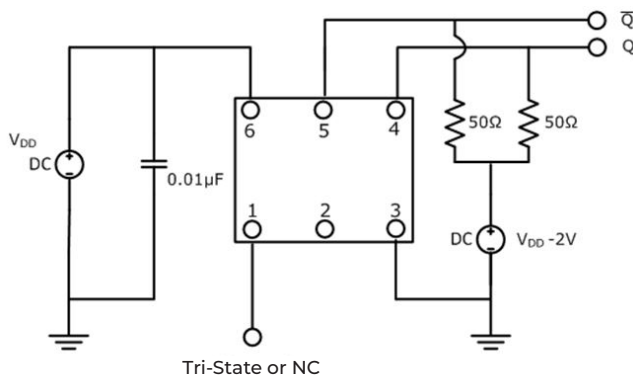
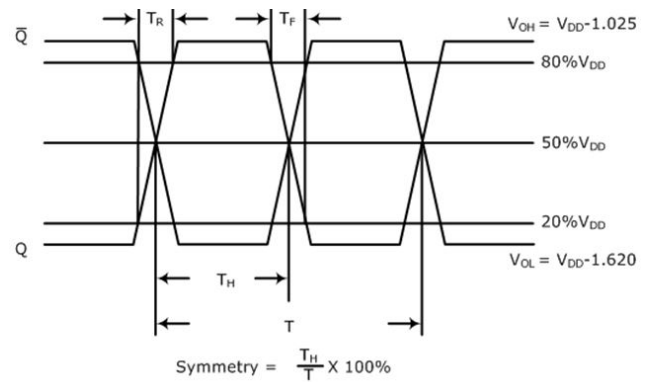
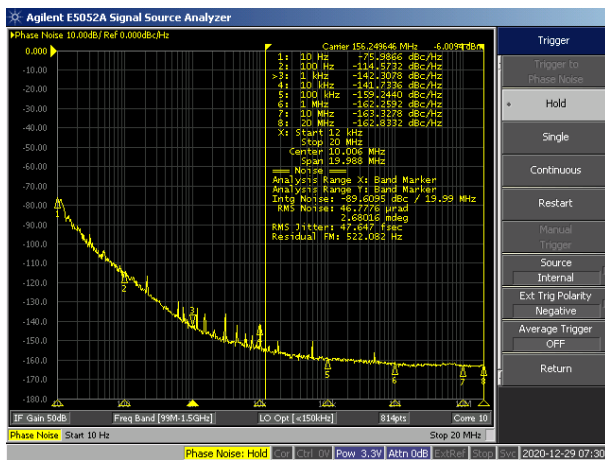
**TRI-STATE (ENABLE/DISABLE)**  
BLANK: No Connection  
1: Pin 1

Cage Code : 4GUT4  
To customize your parameters, contact a Suntsu representative.  
\* For Frequency stability option D, contact a Suntsu representative.

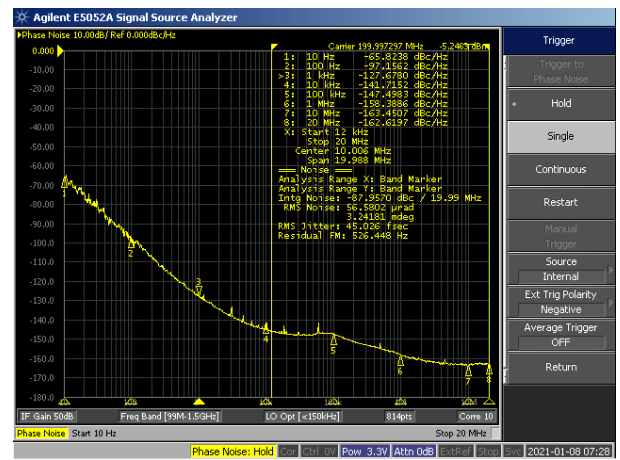
Electrical Parameters	Units	Minimum	Typical	Maximum	Remarks
Frequency Range	MHz	100		320	
Frequency Stability (Includes Initial Tolerance at 25°C, Frequency Stability over Operating Temperature, Output Load Change, Supply Voltage Change, and First Year Aging at 25°C.)	ppm	-20		+20	See part numbering guide for options
Operating Temperature	°C	-40		+85	See part numbering guide for options
Storage Temperature	°C	-55		+125	
Supply Voltage (V <sub>DD</sub> ) - 2.5V Option	V	2.375	2.5	2.625	
Supply Voltage (V <sub>DD</sub> ) - 3.3V Option	V	3.135	3.3	3.465	
Current (I <sub>DD</sub> )	mA			70	
Output Load (LVPECL)	$\Omega$			50	50 $\Omega$ into V <sub>DD</sub> -2.0V <sub>DC</sub>
Output Logic Levels High (V <sub>OH</sub> at 2.5V)	V	1.415		1.760	
Output Logic Levels Low (V <sub>OL</sub> at 2.5V)	V	0.670		1.195	
Output Logic Levels High (V <sub>OH</sub> at 3.3V)	V	2.215		2.420	
Output Logic Levels Low (V <sub>OL</sub> at 3.3V)	V	1.470		1.745	
Rise (TR) and Fall (TF) Time	ns		0.15	0.3	Measured at 20% to 80% of Waveform
Symmetry (Duty Cycle)	%	45	50	55	
Tri-State Input Voltage - Enable	V	0.7*V <sub>DD</sub>			No Connection
Tri-State Input Voltage - Disable	V			0.3*V <sub>DD</sub>	
Start-Up Time	ms			5	
Phase Jitter (12kHz ~ 20MHz)	fs		47	100	

**Outline Drawing & Land Pattern**

All dimensions are in millimeters (mm) unless otherwise noted. Drawings are not to scale.

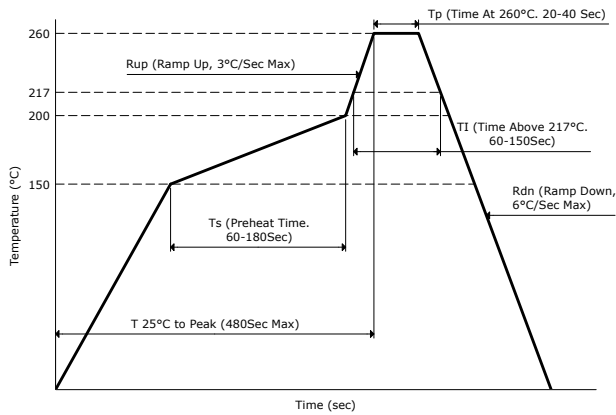

**Test Circuit (LVPECL)**

**Waveform (LVPECL)**

**Typical Phase Noise Performance (Measured By Agilent E5052A)**


Frequency - 156.250MHz

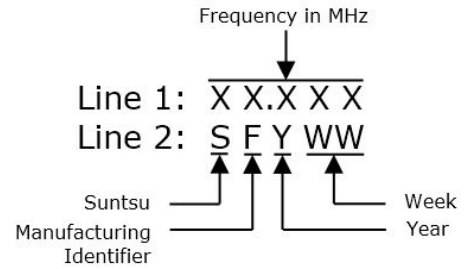


Frequency - 200.000MHz

**Reflow Profile**



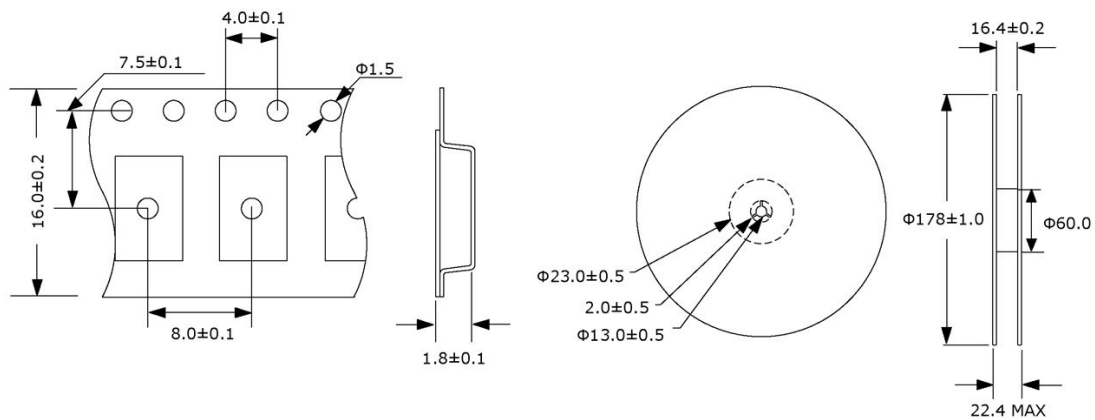
**Part Marking**



**Tape And Reel Dimensions**

All dimensions are in millimeters (mm) unless otherwise noted. Drawings are not to scale.

1,000pcs/Reel



**Environmental Specifications**

Temperature Cycling	MIL-STD-883, Method 1010, Condition B
Fine Leak Test	MIL-STD-883, Method 1014, Condition A
Gross Leak Test	MIL-STD-883, Method 1014, Condition C
Solderability	MIL-STD-883, Method 2003
Moisture Sensitivity	J-STD-020, MSL 1

**Mechanical Specifications**

Mechanical Shock	MIL-STD-202, Method 213, Condition B
Vibration	MIL-STD-883, Method 2007, Condition A
Moisture Resistance	MIL-STD-883, Method 1004
Resistance to Solvents	MIL-STD-202, Method 215
Resistance to Soldering Heat	MIL-STD-202, Method 210, Condition K