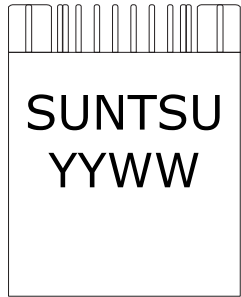
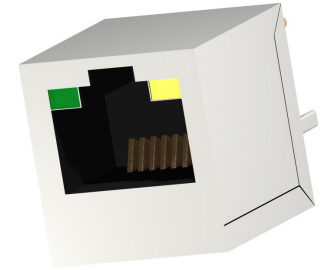
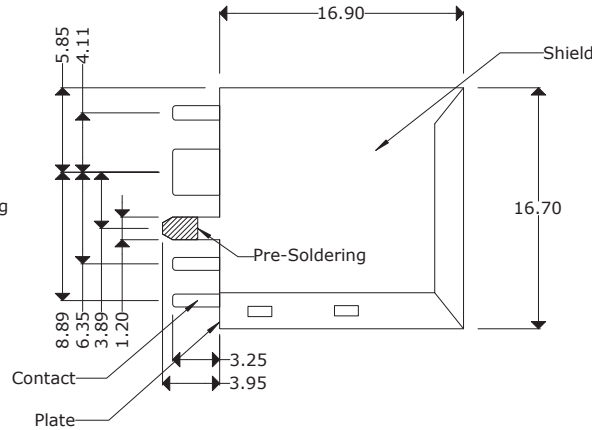
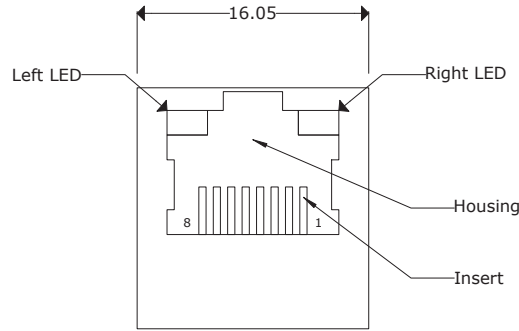


# SCNRJ - 88SGMSNGY - 486H SO VTH

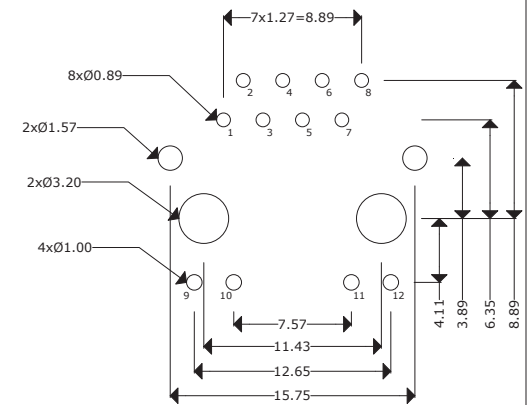
**SUNTSU** **RJ45** **CONTACTS** 8:8 **MAGNETIC** M: With **EMI Finger** N: None **OPERATING TEMP** 48: -40~85°C **CONTACT TERMINATION** SO: SOLDER  
**CONNECTOR** **POSITIONS** 8:8 **CONTACT PLATING** SG: Selective Gold Plating **SHIELD** S: With **LED COLOR** GY: Left - Green Right - Yellow **HEIGHT** 6H: 16.7mm **MOUNTING STYLE** VTH: Vertical Through Hole



YY:Year - WW:Week



## PC Board Layout

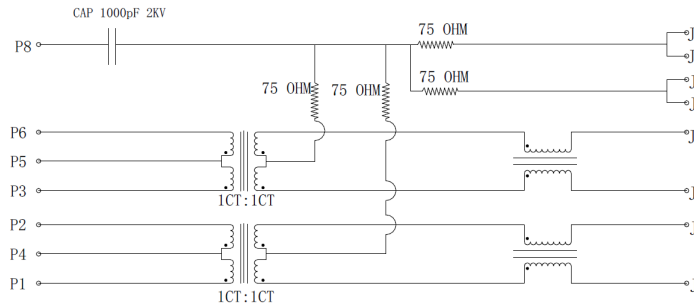


### Electrical Parameters

Turn Ratio(±5%): 1CT:1CT  
 Pri Inductance(100KHz/0.1V@8mA): 350uH MIN  
 DCR(J1-J2,J3-J6): 1.2Ω MAX  
 Insertion Loss(dB MAX): -1.2dB(1-100MHz)  
 Return Loss(dB MIN): -16dB(1-30MHz), -12dB(30-60MHz), -10dB(60-80MHz)  
 Cross Talk(dB MIN): -30dB(1-100MHz)  
 CMR(dB MIN): -30dB(1-100MHz)  
 HI-POT(Pri to Sec): 2250VDC

### Materials

Housing: Nylon 66 UL94V-0 Standard color Black  
 Insert: Phos-Bronze C5210 EH--0.35 Thickness  
 Insert Plating: (1) Nickel (2) 100% Sn (3) Gold (6u")  
 Plate: PBT GF UL 94V-0  
 Contact Pin: Copper Alloy  
 Contact Plating: Selective Gold  
 Shielding: Brass C2680 Plating Nickel



Remarks:  
 Operating Life: 750 Cycles MIN.

Standard LED	Wavelength	Forward*V(MAX)	TYP
Green	565nm	2.5V	2.2V
Yellow	585nm	2.5V	2.1V

With a forward current of 20mA



180° 10/100 BASE-T SINGLE PORT RJ45 JACK MAGNETICS

### Document History

Edits Made	Date	Edited By	Approved By
Initial Release	10/06/2021	B. Gibbons	KH Mun

Part No.	Scale	Unit
SCNRJ-88SGMSNGY-486HSOVTH	Not drawn to scale	mm

Drawn	Tolerance	Pages
B. Gibbons 10/06/2021	Unless otherwise specified, all tolerances are ±0.25	1/1