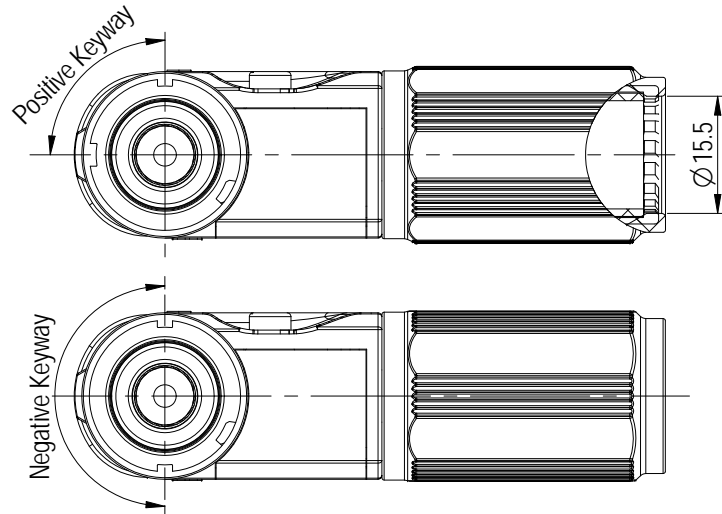
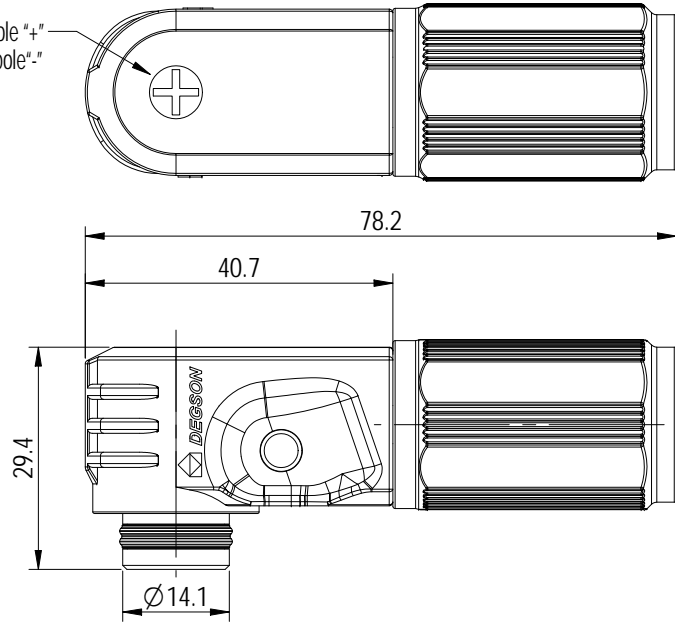
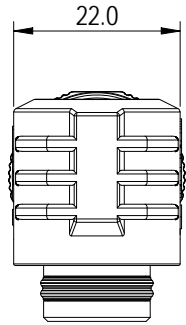


Positive pole "+"  
Negative pole "-"



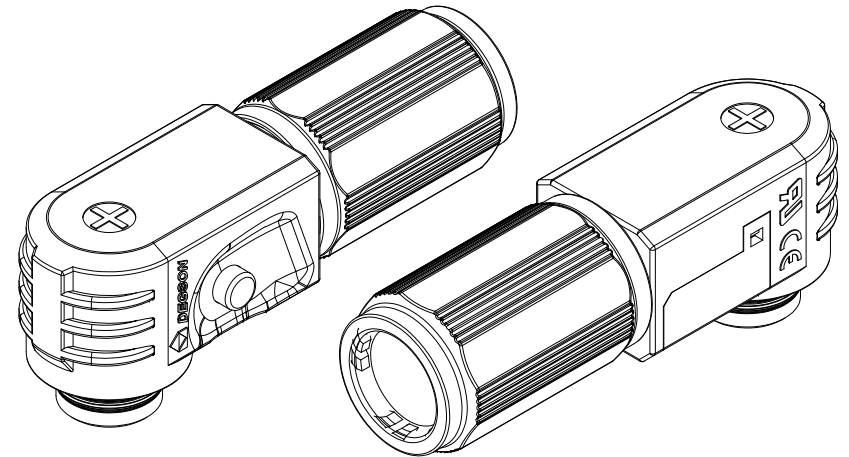
ESP-200A-50-XX-XXL (H)

Keyway: 90:90°  
18:180°

Color: BK:Black  
OR:Orange  
RD:Red

Dimensional tolerance(mm)					0.1/10
0	>30	>60	>100	>150	
~ 30	~ 60	~ 100	~ 150		±2'
±0.25	±0.35	±0.55	±0.80	±1.10	

Technical requirements:	
Color	Black, Orange, Red
Locking method	Buckle
Terminal	Crimp
Housing material	PA+GF
Connector material	Copper alloy
Insertion force	100N Max
Withdrawal force	>10N
Mechanical working life(mating cycles)	100
Wiring specifications	1/0AWG or 50mm <sup>2</sup>
Wire diameter	12.5 14mm
Suggested stripping length	13~14mm
Rated voltage	1500V DC
Rated current	200A
Insulate resistance	≥5000MΩ (drying)
Withstanding voltage	6800V/min
Contact resistance	≤0.5mΩ
Overtoltage category	III
Pollution degree	3
Ingress protection	IP67 (Mated)
Operating temperature(° C)	-40~+125(including temperature rise)
Salt spray	48H
Storage temperature(° C)	-40~+85
Flame retardant ability	UL94-V0
Conform to RoHS	Yes
UL4128 certification	E526028
TUV certification	50581738
Satisfy outdoor use	Yes



		MATERIAL:	SURFACE/COLOR:		
		MAT NO./REV:	MAT STATUS:		
APPD: Sun YZ	2024. 12. 05	NAME			
CHKD: Sun YZ	2024. 12. 05	ESP-200A-50-XX-XXL (H)			
DRFT: Li DL	2024. 12. 05	DRAWING NO.	TYPE	DRAWING STATUS	SCALE
		CUSTOMER DRAWING		2:1	SHEET 1/1

Transfer or duplication of this document as well as the utilization or communication of its content are prohibited unless expressly permitted in writing by DEGSON. All rights reserved for patent. 未经授权复制或传播本文件内容，或在本文件内容基础上进行再复制或传播，均属于侵权行为。如有侵权，请联系 DEGSON 公司处理。 除专利外，所有权利保留。 未经授权，不得转载或传播。