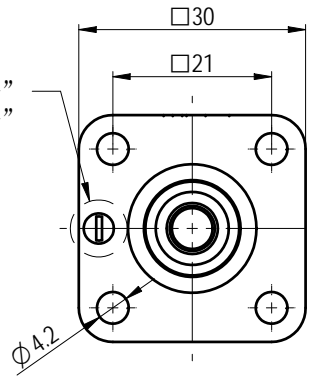
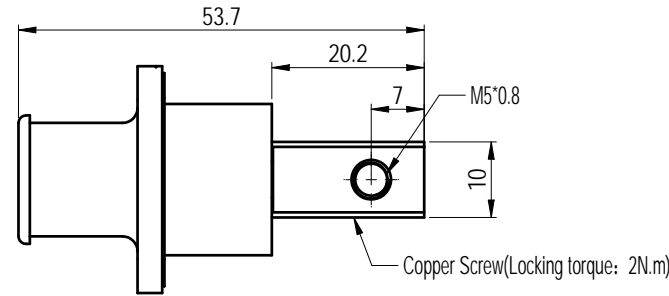
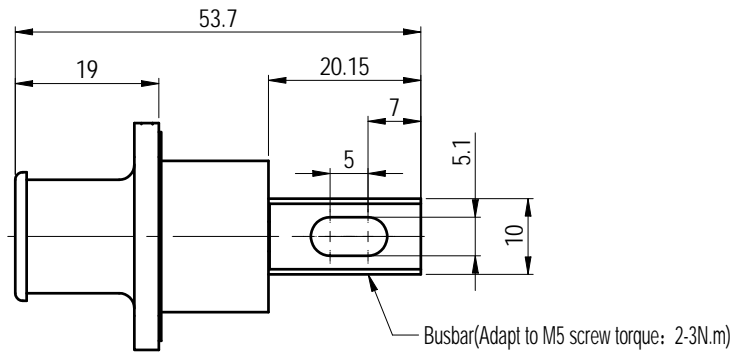


Transfer or duplication of this document as well as the utilization or communication of its contents are prohibited unless explicit authorization is granted. All rights reserved for patent, utility model or design registrations. 非经书面授权, 严禁禁止转让、复制、利用、交还本文件的内容, 一经发现负法律责任。 本公司保留对涉及发明、实用新型和外观设计的所有权利。

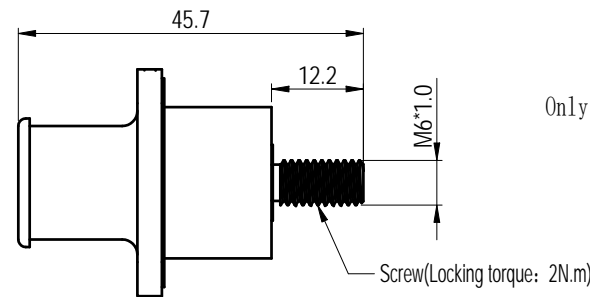
Positive pole “+”  
Negative pole “-”



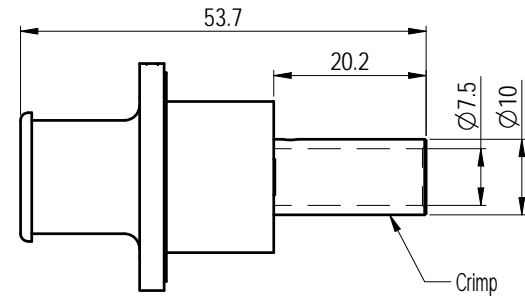
Other wiring forms: Form 1:



Form 2:



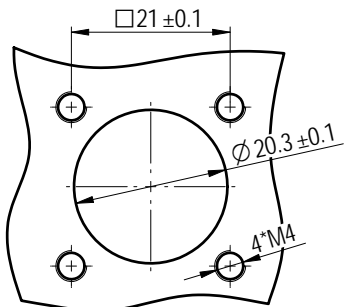
Form 3:



ESS-120A-25-X-XX-00

Color: BK : Black  
OR : Orange  
RD : Red

Contact Termination: B : Busbar  
C : Crimp  
S : Screw  
B/S : Copper Screw

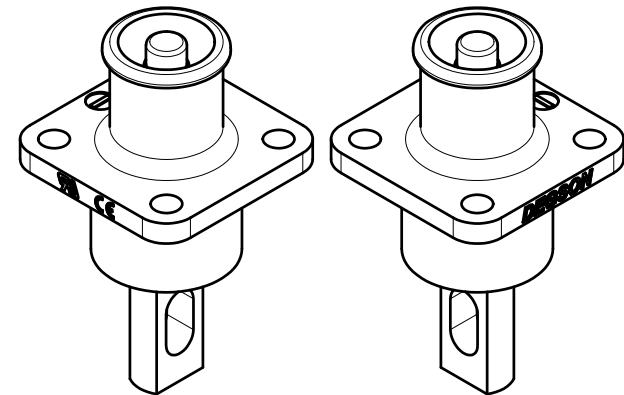


Recommended  
Panel Cut-Out

Dimensional tolerance(mm)					0.1/10 ±2'
0	>30	>60	>100	>150	
~30	~60	~100	~150		
±0.25	±0.35	±0.55	±0.80	±1.10	

Technical requirements:	
Color	Black, Orange, Red
Locking method	Buckle
Terminal	Busbar, Screw, Crimp, Copper Screw
Housing material	PA+GF
Connector material	Copper alloy
Insertion force	60N Max
Withdrawal force	>10N
Mechanical working life(mating cycles)	100
Screw torque	M4/0.4°0.7N.m
Wiring specifications	4AWG or 25mm <sup>2</sup>
Suggested stripping length	13~14mm (Crimp type)
Wire diameter	9~10.3mm(Crimp type)
Rated voltage	1500V DC
Rated current	120A
Insulate resistance	≥5000MΩ (drying)
Withstanding voltage	6800V/min
Contact resistance	≤0.5mΩ
Overvoltage category	III
Pollution degree	3
Ingress protection	IP67(Mated)
Operating temperature(° C)	-40~+125(including temperature rise)
Salt spray	48H
Storage temperature(° C)	-40~+85
Flame retardant ability	UL94-V0
Conform to RoHS	Yes
ULA128 certification	E526028
TUV certification	50581738

Only in the form of Busbar 3D display:



		MATERIAL:	SURFACE:	
APPD:		MAT. NO./REV:	MAT STATUS:	
CHKD:		NAME		
DRFT: Zhang XY		ESS-120A-25-X-XX-00L(H)		
2024.09.19		DRAWING NO.	TYPE	DRAWING STATUS
A4		CUSTOMER DRAWING		SCALE
				SHEET
				1/1

REV	ECN	DESCRIPTION	DRFT	DATE
00				