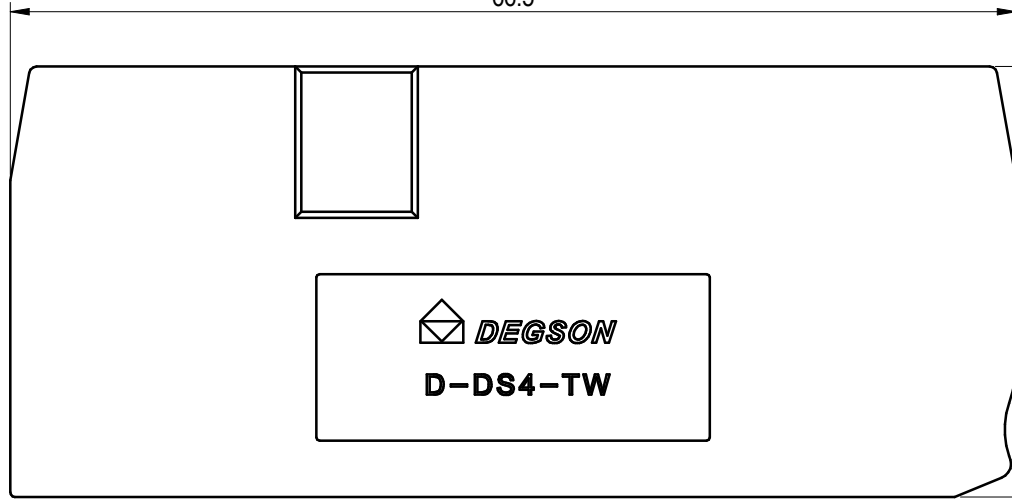
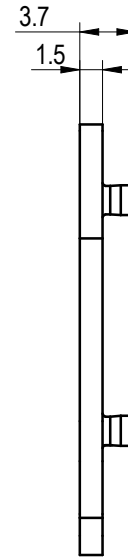
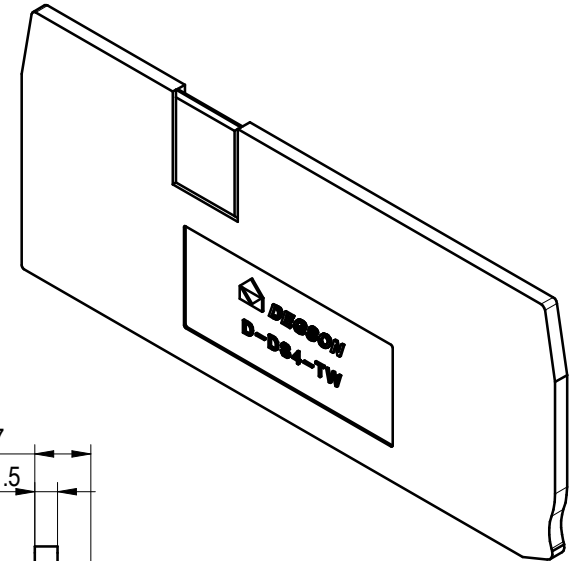


66.5



28.45

未注公差/General tolerances(mm)											0.1/10		
0	>3	>6	>10	>18	>30	>50	>80	>120	>180	>250		>315	>400
~	~	~	~	~	~	~	~	~	~	~	~	~	~
±0.12	±0.18	±0.22	±0.26	±0.31	±0.37	±0.57	±0.80	±0.93	±1.05	±1.15	±1.60	±2.20	±2.50



间距/ Pitch(mm)/ 线数范围/ Poles	1.5/ 01P
使用温度范围/ Operating temperature(°C)	- 40~+105
符合 RoHS 环保要求/ Conform to RoHS	Yes
阻燃等级/ Flame class	UL94V-0

	MATERIAL: A63RVO-1102	SURFACE/COLOR:
	MAT NO./REV: 11060001561-1 / 00	MAT STATUS: work
APPD:	NAME	
CHKD:	D-DS4-TW-01P-11-00L(H)	
DRFT:	DRAWING NO. 200006150	TYPE
		DRAWING STATUS work
REV	ECN	DESCRIPTION
00		
DRFT	DATE	SCALE 2:1
		SHEET 1/1

Transfer or duplication of this document as well as the utilization or communication of its contents in any form without the prior written permission of DEGSON is prohibited. All rights reserved for patent, utility model or designs registrations. 非经明确授权，否则禁止转让、复制、利用、交流本文件的内容，一经发现将依法追究。本公司保留对涉及发明、实用新型和外观专利的所有权利。