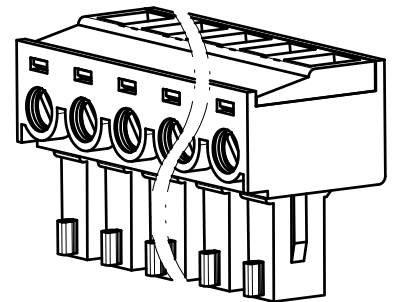
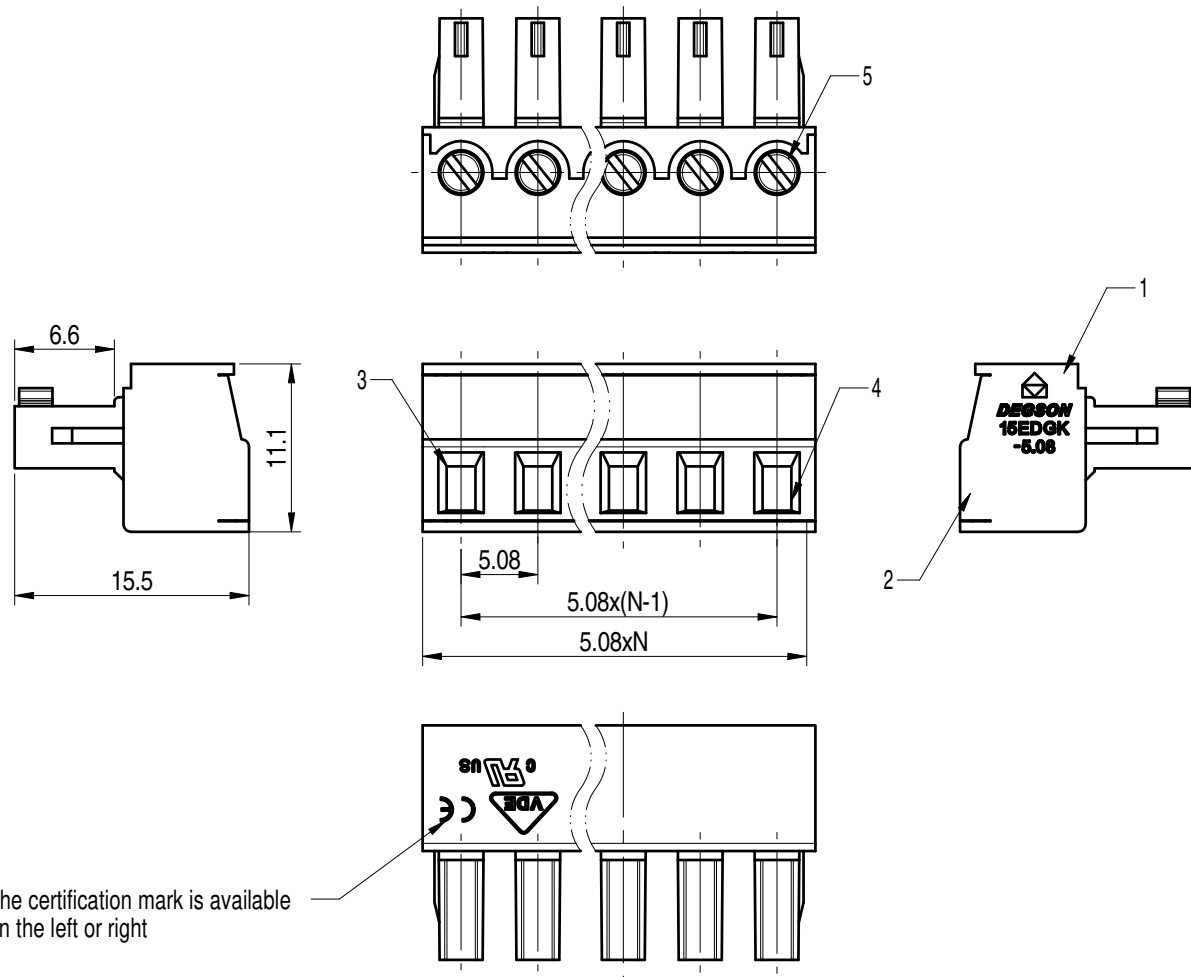


未注公差/General tolerances (mm)													0.1/10 ±2'
0	>3	>6	>10	>18	>30	>50	>80	>120	>180	>250	>315	>400	
~3	~6	~10	~18	~30	~50	~80	~120	~180	~250	~315	~400	~500	>500
±0.12	±0.18	±0.22	±0.26	±0.31	±0.37	±0.57	±0.80	±0.93	±1.05	±1.15	±1.60	±2.20	±2.50

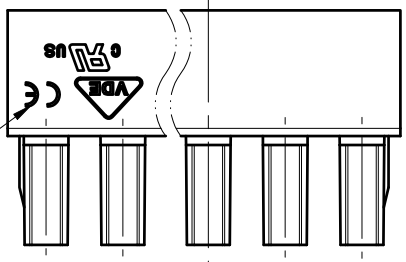
Transfer or duplication of this document as well as the utilization or communication of its contents are prohibited unless expressly permitted in writing by DEGSON. All rights reserved for patent, utility model or design registrations. 除零部件明確標識外，否則禁止印、製、用、及流傳文件內容。 未經本公司書面許可，嚴禁將產品圖樣、專利、商標、及流傳文件內容。 本公司保留所有權利。



Note:  
The A&Z(H) in the name means:A(H) and Z(H).

ITEM	NAME OF PART	MATERIAL	NOTES
5	Screw	Steel	M2/Zn Plated
4	Cage	Copper alloy	M2/Ni Plated
3	Clamp	Copper alloy	Sn Plated
2	Cover	PA66	UL94V-0
1	Housing	PA66	UL94V-0

The certification mark is available on the left or right



UL 标准/UL Standard:	B	C	D
额定电压/电流/Rated Voltage(V)/Current(A)	300/8	/	300/8
IEC 标准/IEC Standard:			
过压类别/Overvoltage Category/污染等级/Pollution Degree	III/3	III/2	II/2
额定电压/电流/Rated Voltage(V)/Current(A)	/	/	450/7
额定脉冲电压(KV)/Rate Impulse Voltage(KV)	/	/	4
螺丝扭矩/Torque Tightening(N·m/Lb.in)	M2, 0.2/1.77		
线径范围(硬线和软线)/Wire Range(rigid and flexible)(AWG/mm²)	28~16/ 0.5~1.5		
间距/Pitch(mm)/线数范围/Poles	5.08/N=02~12P		
剥线长度/Stripping length(mm)	6~7		
使用温度范围/Operating temperature(°C)	-40~+105		
符合RoHS环保要求/Conform to RoHS	Yes		

<b>DEGSON</b>		MATERIAL:	SURFACE/COLOR:
APPD: 兰春华 2022.07.19		MAT NO./REV: - / 00	MAT STATUS: 批量
CHKD: 龚耀志 2022.07.18		NAME	
DRFT: 周锡锦 2022.07.18		15EDGK-5.08-XXP-1Y-00A&Z(H)	
DRAWING NO.	TYPE	DRAWING STATUS	SCALE
200097894	CUSTOMER DRAWING	已发布	2:1
SHEET		SHEET	
1/1		1/1	

REV	ECN	DESCRIPTION	DRFT	DATE
00			周锡锦	2022.07.18