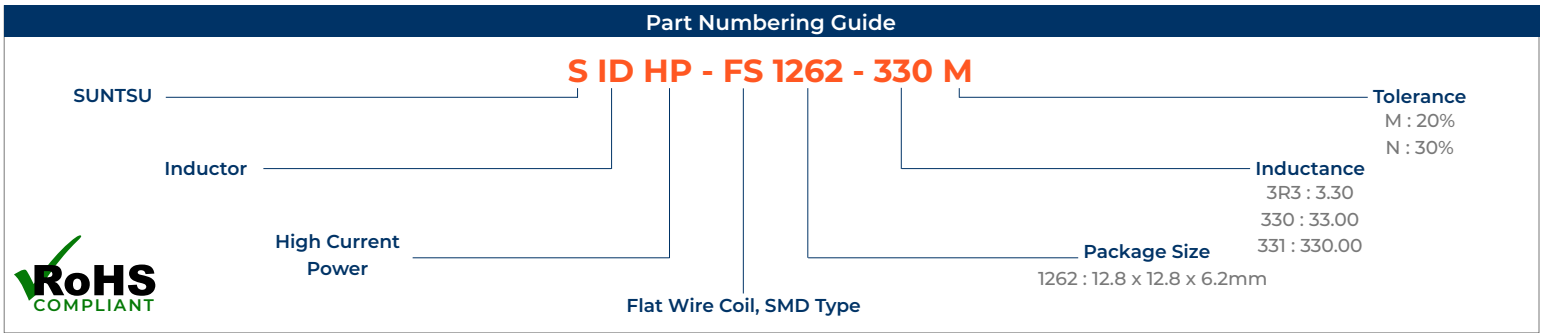


Features
<ul style="list-style-type: none"> <li>• High Current Power</li> <li>• Low D.C. Resistance</li> <li>• Excellent Resistance to Electromagnetic Interference</li> <li>• Operating Temperature -55°C ~ 150°C</li> <li>• AEC-Q200 Compliant</li> </ul>

Applications
<ul style="list-style-type: none"> <li>• PV Inverter, Industrial Control, New Energy</li> <li>• DC/DC Converters, Motherboards, Filters</li> <li>• High Current Switching Regulators</li> <li>• Polyphase-Switching Regulators</li> </ul>

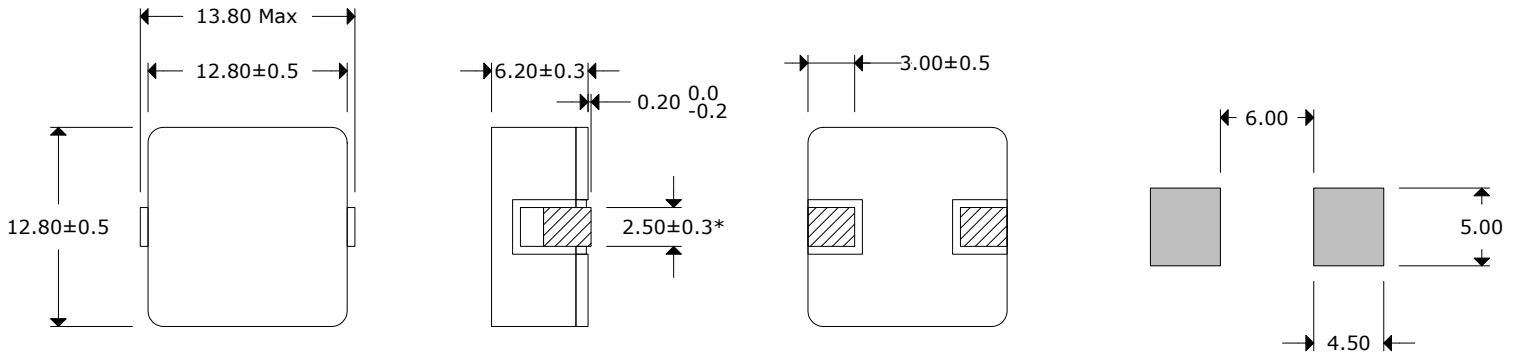


Part Number	Inductance (μH)	Tolerance	D.C.R. (mΩ) Typical	D.C.R. (mΩ) Max	Saturation Current (A) Typical	Temp. Rise Current (A) Typical
SIDHP-FS1262-R20M	0.20	±20%	0.32	0.37	>110	36.0
SIDHP-FS1262-R47M	0.47	±20%	0.65	0.75	90.0	32.0
SIDHP-FS1262-R85M	0.85	±20%	0.90	1.05	63.0	26.0
SIDHP-FS1262-1R3M	1.30	±20%	1.69	1.95	50.0	25.0
SIDHP-FS1262-2R0M	2.00	±20%	2.25	2.60	41.0	23.0
SIDHP-FS1262-2R7M	2.70	±20%	3.25	3.75	35.0	20.0
SIDHP-FS1262-3R6M	3.60	±20%	4.20	4.85	30.0	17.0
SIDHP-FS1262-4R7M	4.70	±20%	5.42	6.25	27.0	14.0
SIDHP-FS1262-5R8M	5.80	±20%	6.93	7.97	24.0	12.0
SIDHP-FS1262-7R3M	7.30	±20%	5.68	6.50	18.5	13.0
SIDHP-FS1262-9R2M	9.20	±20%	7.24	8.35	16.3	12.0
SIDHP-FS1262-110M	11.0	±20%	8.87	10.20	15.0	11.0
SIDHP-FS1262-130M	13.0	±20%	10.20	11.70	13.5	10.0
SIDHP-FS1262-150M	15.0	±20%	12.30	14.10	12.5	9.0
SIDHP-FS1262-180M	18.0	±20%	15.20	17.50	11.2	8.5
SIDHP-FS1262-220M	22.0	±20%	18.60	21.50	10.7	8.0
SIDHP-FS1262-270M	27.0	±20%	23.90	27.50	9.5	6.5
SIDHP-FS1262-330M	33.0	±20%	26.30	30.30	8.8	5.5
SIDHP-FS1262-390M	39.0	±20%	40.30	46.50	8.0	4.5
SIDHP-FS1262-470M	47.0	±20%	54.50	62.70	7.2	4.0



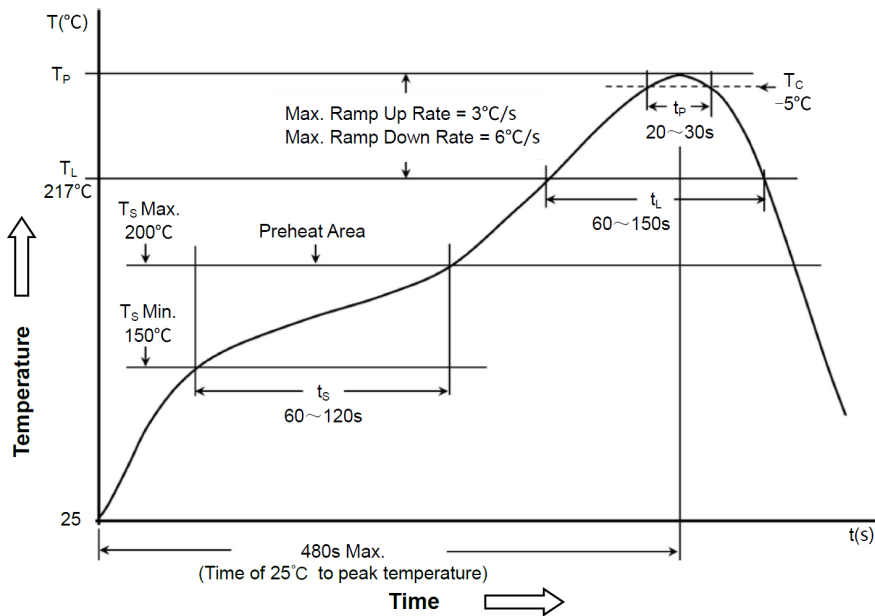
### Outline Drawing & Land Pattern

All dimensions are in millimeters (mm) unless otherwise noted. Drawings are not to scale.



\* For Inductance of 39.0μH & 47.0μH Pad width will be 2.0±0.3mm

### Reflow Profile & Part Marking



Line 1 : XXX  
 Inductance (μH) →

Classification of Peak Package Body Temperature (Tp)

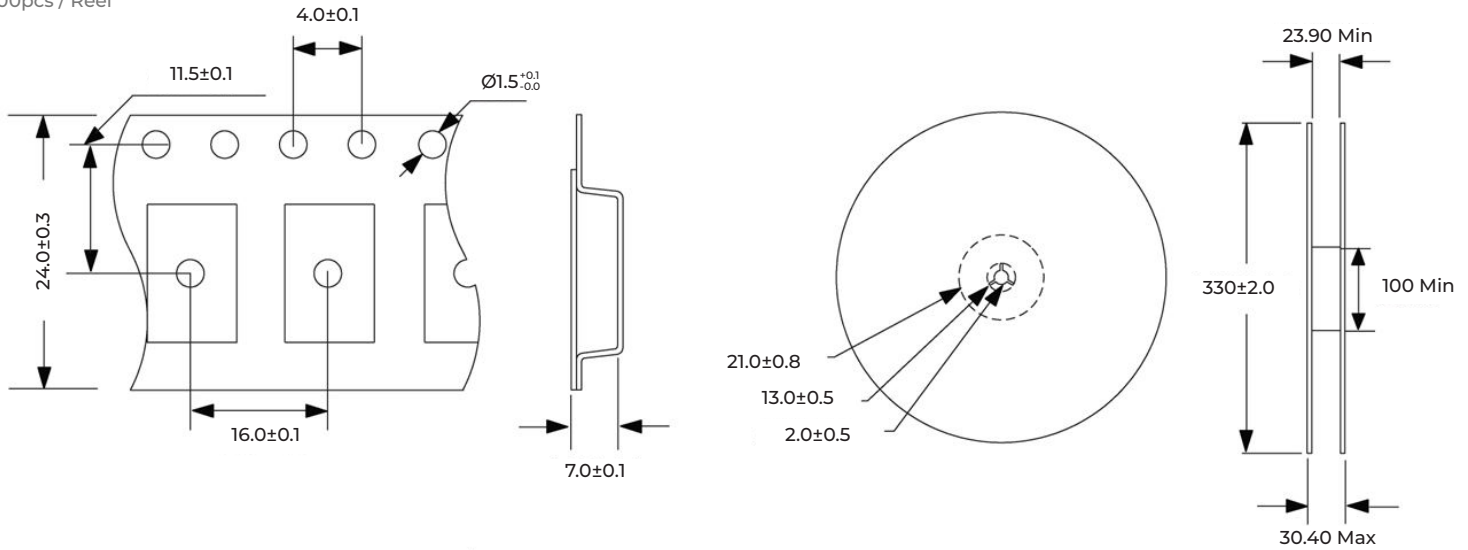
	Package Thickness	Package Volume		
		<350 mm <sup>3</sup>	350~2000 mm <sup>3</sup>	>2000 mm <sup>3</sup>
PB-Free Assembly	<1.6mm	260°C	260°C	260°C
	1.6~2.5mm	260°C	250°C	245°C
	≥2.5mm	250°C	245°C	245°C

**Example:**  
 3.30μH : 3R3  
 33.00μH : 330  
 330.00μH : 331  
 3300.00μH : 332

### Tape And Reel Dimensions

All dimensions are in millimeters (mm) unless otherwise noted. Drawings are not to scale.

400pcs / Reel



### Environmental Specifications

Temperature Cycling	MIL-STD-883, Method 1010, Condition B
Fine Leak Test	MIL-STD-883, Method 1014, Condition A
Gross Leak Test	MIL-STD-883, Method 1014, Condition C
Moisture Resistance	MIL-STD-883, Method 1004
Moisture Sensitivity	J-STD-020, MSL 1

### Mechanical Specifications

Mechanical Shock	MIL-STD-202, Method 213, Condition C
Vibration	MIL-STD-883, Method 2007, Condition A
Resistance to Soldering Heat	MIL-STD-202, Method 210, Condition K
Resistance to Solvents	MIL-STD-202, Method 215
Solderability	MIL-STD-883, Method 2003

### Notice of Use

1. Product in packing storage condition : temperature 5~40°C, RH ≤ 70%.	6. When this product will be used on a similar or new project to the original one, sometimes it might be unable to satisfy the specifications due to different condition of usage.
2. A storage of inductors longer than 12 months is not recommended. Within other effects, the terminals may suffer degradation, resulting in bad solderability. Therefore, all products shall be used within the period of 12 months based on the day of shipment.	7. This inductor itself does not have any protective function in abnormal condition, such as overload, short-circuit, open-circuit conditions, etc. Therefore, it shall be confirmed that there is no risk of smoke, fire, dielectric withstand voltage, insulation resistance, etc. or use in abnormal conditions protective devices or protection circuit in the end product.
3. Do not keep products in unsuitable storage conditions, such as areas susceptible to high temperatures, high humidity, dust or corrosion.	8. Hi-Pot test with higher voltage than spec will damage material and shorten its life.
4. Always handle product with care.	9. If using in potting compound, the magnet wire coating might be damaged.
5. Don't touch electrodes directly with bare hands as oil secretions may inhibit soldering. Always ensure optimum conditions for soldering.	10. Refrain from rinsing coils.