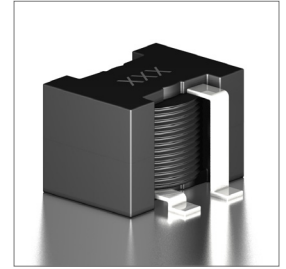


Features

- High Current Power
- Low D.C. Resistance
- Excellent Resistance to Electromagnetic Interference
- Operating Temperature -40°C ~ 125°C
- AEC-Q200 Compliant

Applications

- PV Inverter, Industrial Control, New Energy
- DC/DC Converters, Motherboards, Filters
- High Current Switching Regulators
- Polyphase-Switching Regulators



Part Numbering Guide

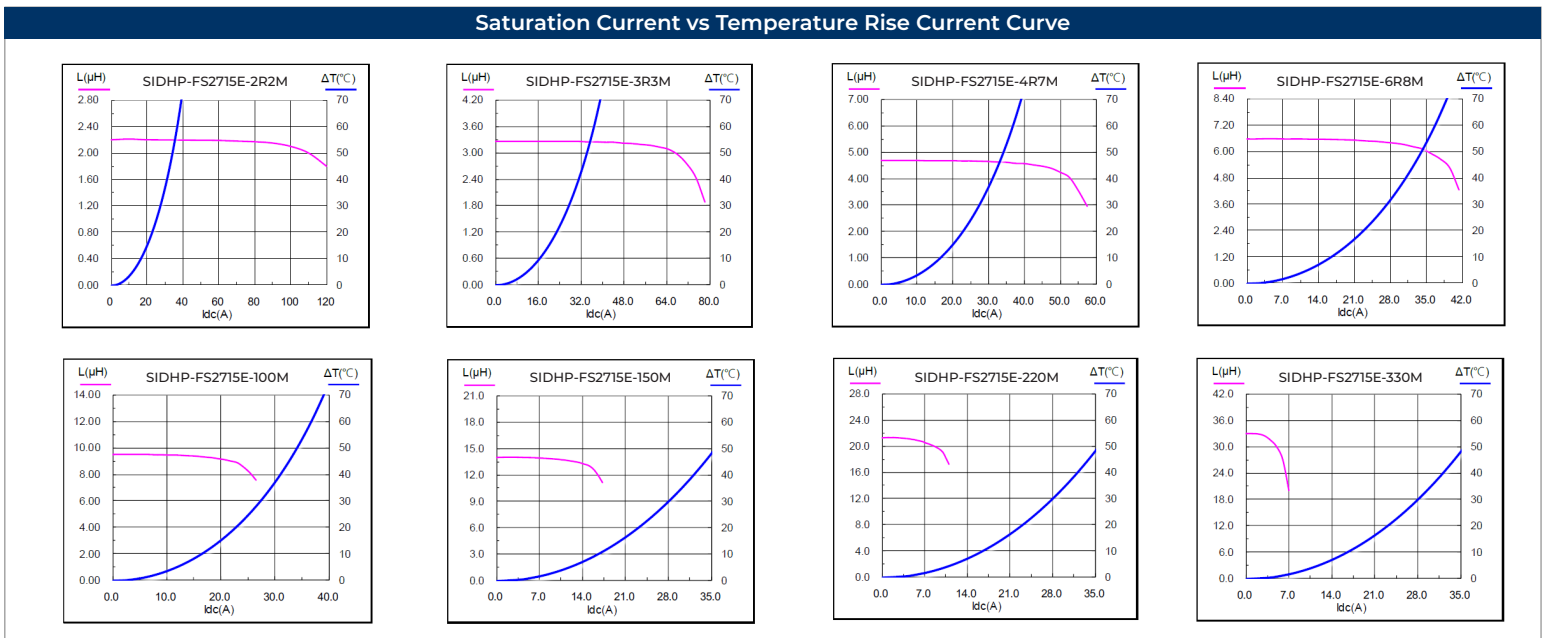
S I D H P - F S 2715 E - 330 M

SUNTSU ——— Inductor ——— High Current Power ——— Flat Wire Coil, SMD Type ——— Package Size ——— 2818F : 27.9 x 19.7mm x 15.4mm

Tolerance
 M : 20%
 N : 30%

Inductance
 3R3 : 3.30
 330 : 33.00
 331 : 330.00

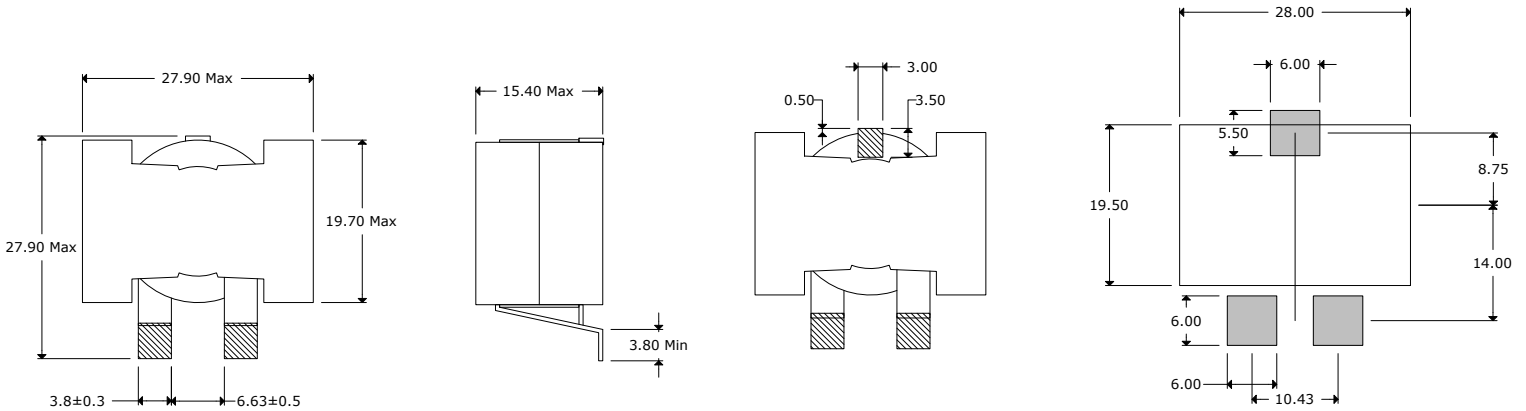
Part Number	Inductance (μH)	Tolerance	D.C.R. (mΩ) Typical	D.C.R. (mΩ) Max	Saturation Current (A) Typical	Temp. Rise Current (A) Typical
SIDHP-FS2715E-2R2M	2.20	±20%	1.45	1.65	>100	32.0
SIDHP-FS2715E-3R3M	3.30	±20%	1.45	1.65	68.0	32.0
SIDHP-FS2715E-4R7M	4.70	±20%	1.45	1.65	50.0	32.0
SIDHP-FS2715E-6R8M	6.80	±20%	1.45	1.65	36.0	32.0
SIDHP-FS2715E-100M	10.0	±20%	1.45	1.65	23.0	32.0
SIDHP-FS2715E-150M	15.0	±20%	1.45	1.65	15.0	32.0
SIDHP-FS2715E-220M	22.0	±20%	1.45	1.65	9.60	32.0
SIDHP-FS2715E-330M	33.0	±20%	1.45	1.65	5.90	32.0



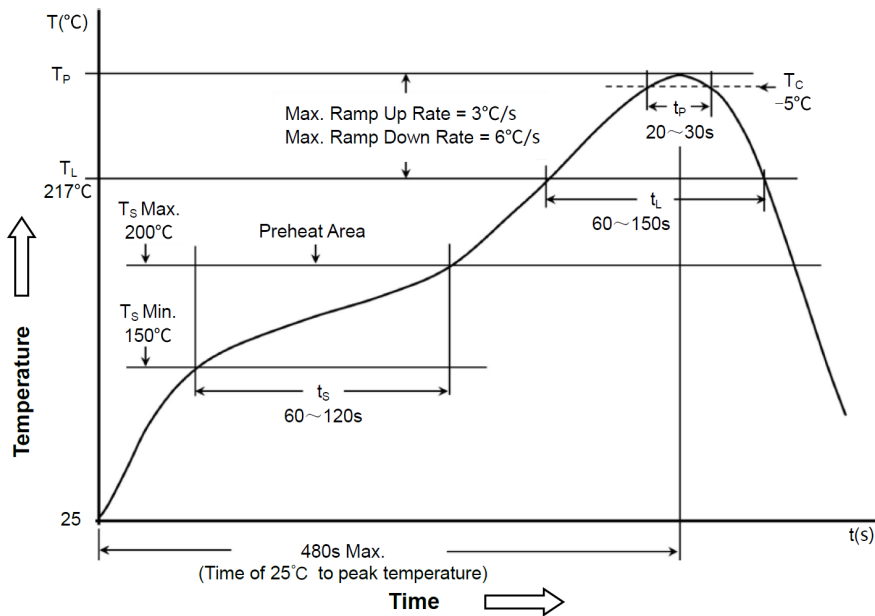
- All Data is tested based on 25°C ambient temperature.
- Inductance measure condition at 100kHz, 0.1V.
- Saturation current: The actual value of DC current when the inductance decrease 30% of its initial value.
- Temperature rise current: The actual value of DC current when the temperature rise is ΔT40°C (Ta=25°C).

Outline Drawing & Land Pattern

All dimensions are in millimeters (mm) unless otherwise noted. Drawings are not to scale.



Reflow Profile & Part Marking



Line 1 : XXX

Inductance (μH) \uparrow

Classification of Peak Package Body Temperature (T_p)

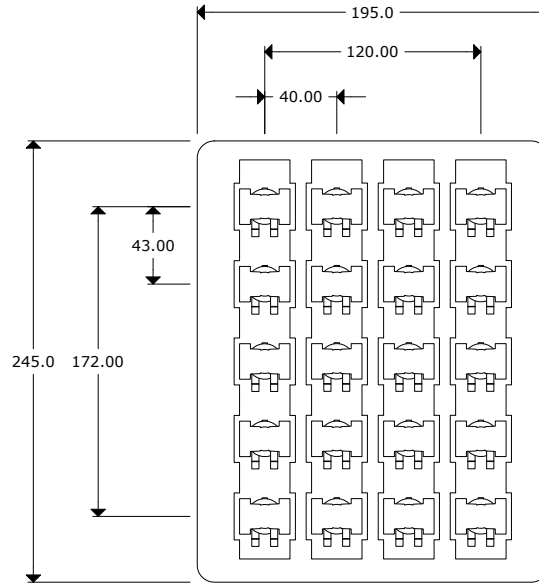
	Package Thickness	Package Volume		
		<350 mm ³	350~2000 mm ³	>2000 mm ³
PB-Free Assembly	<1.6mm	260 $^{\circ}\text{C}$	260 $^{\circ}\text{C}$	260 $^{\circ}\text{C}$
	1.6~2.5mm	260 $^{\circ}\text{C}$	250 $^{\circ}\text{C}$	245 $^{\circ}\text{C}$
	$\geq 2.5\text{mm}$	250 $^{\circ}\text{C}$	245 $^{\circ}\text{C}$	245 $^{\circ}\text{C}$

Example:
 3.30 μH : 3R3
 33.00 μH : 330
 330.00 μH : 331
 3300.00 μH : 332

Tray Dimensions

All dimensions are in millimeters (mm) unless otherwise noted. Drawings are not to scale.

20pcs / Tray



Environmental Specifications

Temperature Cycling	MIL-STD-883, Method 1010, Condition B
Fine Leak Test	MIL-STD-883, Method 1014, Condition A
Gross Leak Test	MIL-STD-883, Method 1014, Condition C
Moisture Resistance	MIL-STD-883, Method 1004
Moisture Sensitivity	J-STD-020, MSL 1

Mechanical Specifications

Mechanical Shock	MIL-STD-202, Method 213, Condition C
Vibration	MIL-STD-883, Method 2007, Condition A
Resistance to Soldering Heat	MIL-STD-202, Method 210, Condition K
Resistance to Solvents	MIL-STD-202, Method 215
Solderability	MIL-STD-883, Method 2003

Notice of Use

- Product in packing storage condition : temperature 5~40°C, RH ≤ 70%.
- A storage of inductors longer than 12 months is not recommended. Within other effects, the terminals may suffer degradation, resulting in bad solderability. Therefore, all products shall be used within the period of 12 months based on the day of shipment.
- Do not keep products in unsuitable storage conditions, such as areas susceptible to high temperatures, high humidity, dust or corrosion.
- Always handle product with care.
- Don't touch electrodes directly with bare hands as oil secretions may inhibit soldering. Always ensure optimum conditions for soldering.

- When this product will be used on a similar or new project to the original one, sometimes it might be unable to satisfy the specifications due to different condition of usage.
- This inductor itself does not have any protective function in abnormal condition, such as overload, short-circuit, open-circuit conditions, etc. Therefore, it shall be confirmed that there is no risk of smoke, fire, dielectric withstand voltage, insulation resistance, etc. or use in abnormal conditions protective devices or protection circuit in the end product.
- Hi-Pot test with higher voltage than spec will damage material and shorten its life.
- If using in potting compound, the magnet wire coating might be damaged.
- Refrain from rinsing coils.