

S CN BN - J 1 1 75 - SO RPM

SUNTSU

CONNECTOR

BNC

Connector Type
Jack

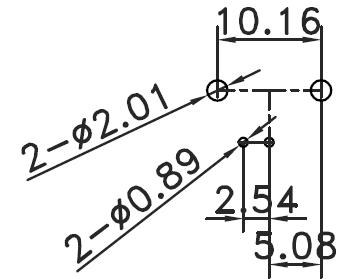
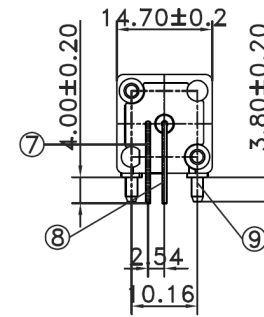
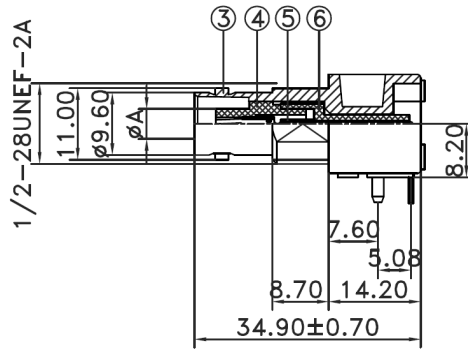
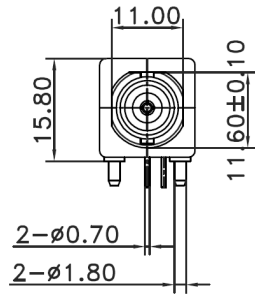
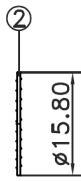
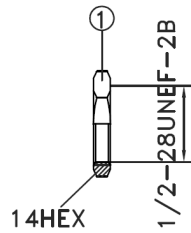
Rows

Connectors
per Row

Impedance
75

Contact Termination
Solder

Mounting Style
Right Angle PCB
Mount



Recommended
Mounting
Layout

- Materials:
 - Body: Zinc Nickel Plated
 - Contact: P-Bronze Gold Plated
 - Insulator: PP Natural
- Normal Impedance: 75Ω
- Frequency Range: 0-1 GHz
- Max Peak Voltage: 500V
- Dielectric Strength: 1500V RMS
- Insulation Resistance: 5000MΩ/Min



BNC JACK PCB MOUNT
90°

Document History				Part No.	Drawn
Edits Made	Date	Edited By	Approved By	SCNBN-J1175-SORPM	B. Gibbons 06/28/2021
Initial Release	06/28/2021	B. Gibbons	KH Mun	Scale	Tolerance
				Not drawn to scale	0.5-15 = ±0.15 15-30 = ±0.30 30-120 = ±0.60 >120 = ±1.00
				Unit	Pages
				mm	1/1