

S CN RF - 6A A N - NY F S

SUNTSU

CONNECTOR

RF

MAXIMUM FREQUENCY
6 GHz

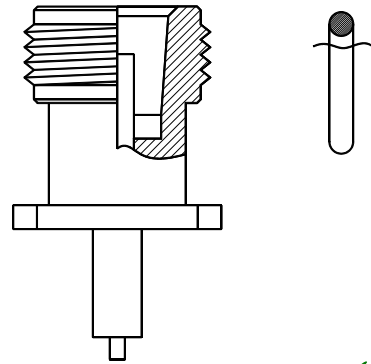
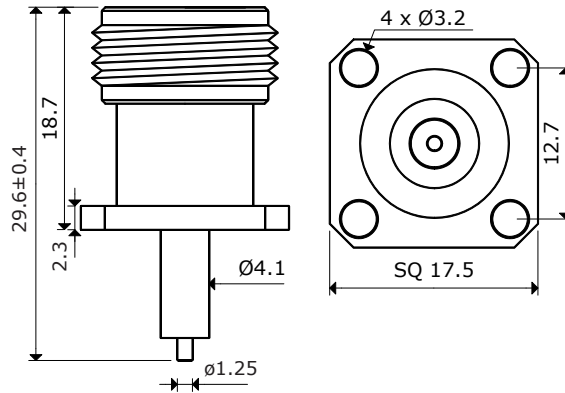
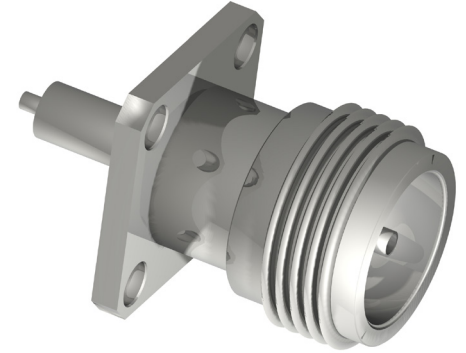
IMPEDANCE
50Ω

MOUNT TYPE
Panel

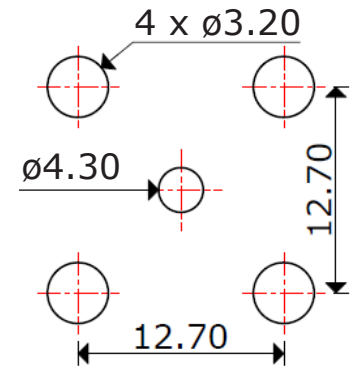
CONNECTOR TYPE
N-Type

GENDER
Female

ORIENTATION
Straight



Recommended Mounting Layout



Impedance: 50Ω
 Frequency Range: 0GHz - 6GHz
 Voltage Standing Wave Ratio (VSWR): 1.5 MAX
 Working Voltage: 1000 Vrms MAX
 Dielectric Withstanding Voltage: 2500 Vrms MIN
 Operating Temperature: -55°C to 85°C
 Storage Temperature: -60°C to 165°C
 Center Contact Resistance: 6 mΩ MAX
 Outer Contact Resistance: 2 mΩ MAX
 Insulation Resistance: 5000 mΩ MIN



N-TYPE PANEL MOUNT FEMALE STRAIGHT CONNECTOR

Document History

Edits Made	Date	Edited By	Approved By
Initial Release	02/02/2021	B. Gibbons	KH Mun

Part No.	SCR-F-6AAN-NYFS
Scale	Not drawn to scale
Unit	mm

Drawn	B. Gibbons	02/02/2021
Tolerance		
Pages		