

SCNRF - 6A AN - SA FS

SUNTSU

CONNECTOR

RF

MAXIMUM FREQUENCY
6 GHz

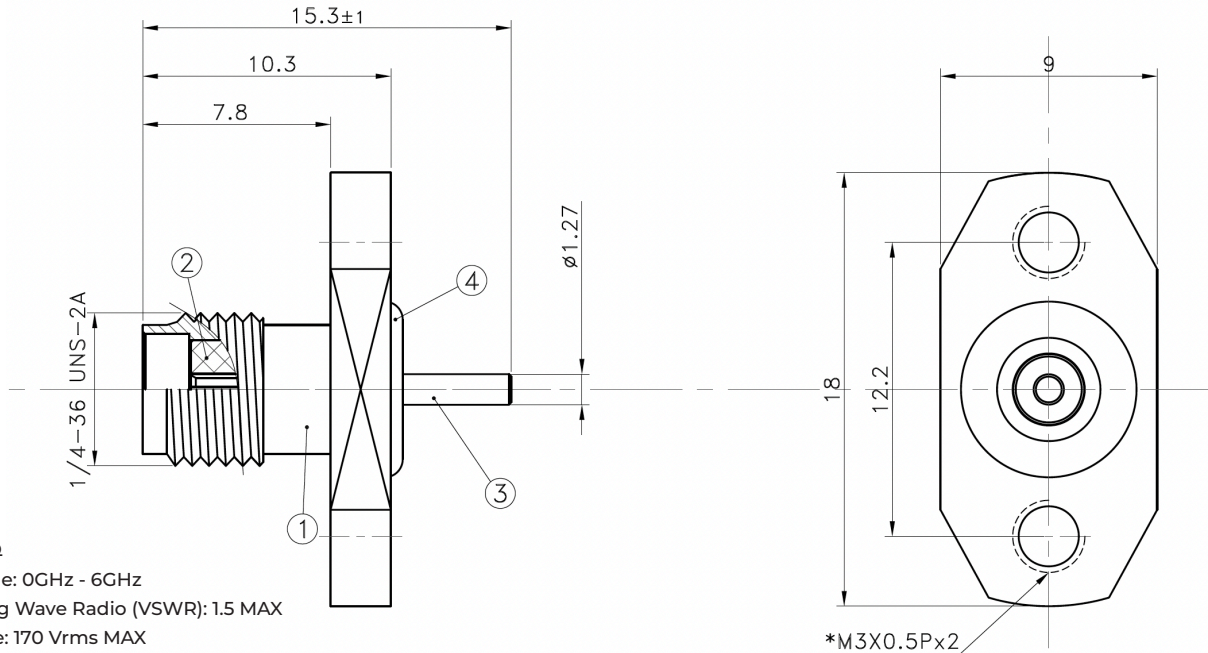
IMPEDANCE
50Ω

MOUNT TYPE
Panel

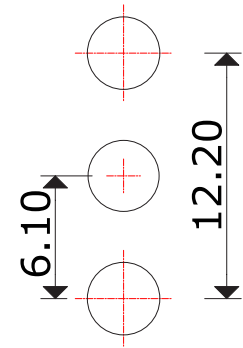
CONNECTOR TYPE
SMA

GENDER
Female

ORIENTATION
Straight



Recommended
Mounting
Layout



Impedance: 50Ω
 Frequency Range: 0GHz - 6GHz
 Voltage Standing Wave Ratio (VSWR): 1.5 MAX
 Working Voltage: 170 Vrms MAX
 Dielectric Withstanding Voltage: 500 Vrms MAX
 Operating Temperature: -55°C to 85°C
 Storage Temperature: -60°C to 165°C
 Center Contact Resistance: 3 mΩ MAX
 Outer Contact Resistance: 2 mΩ MAX
 Insulation Resistance: 2000 mΩ MIN



SMA PANEL MOUNT FEMALE
STRAIGHT CONNECTOR

Document History			
Edits Made	Date	Edited By	Approved By
Initial Release	02/02/2021	B. Gibbons	KH Mun

Part No.	SCNRF-6AAN-SAFS	Drawn	B. Gibbons
Scale	Not drawn to scale	Tolerance	02/02/2021
Unit	mm	Pages	1/1