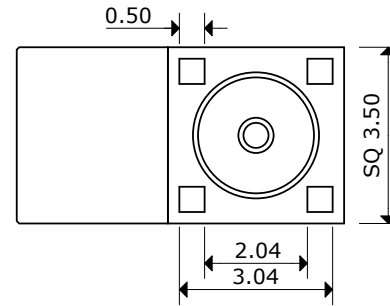
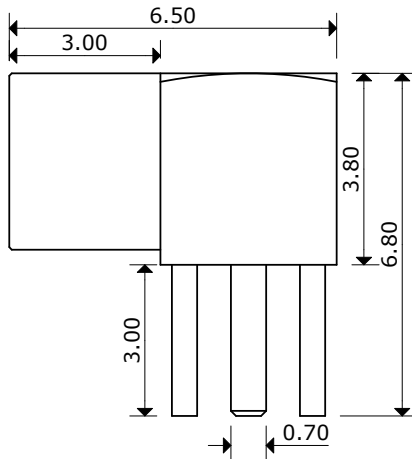
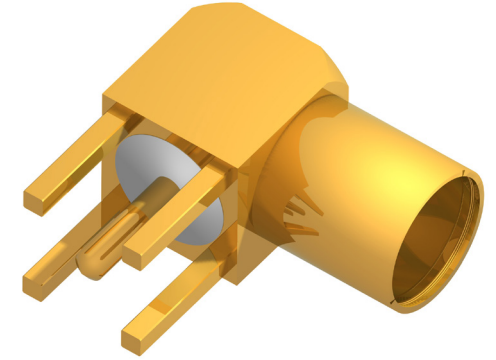
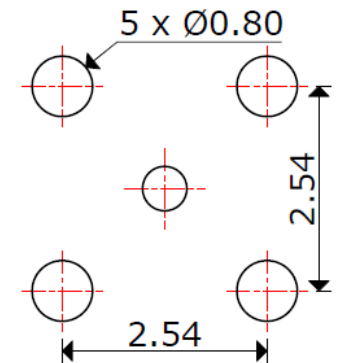


S CN RF - 6A A P - MM F R

S SUNTSU
CN CONNECTOR
RF RF
- 6A MAXIMUM FREQUENCY 6 GHz
A A IMPEDANCE 50Ω
P MOUNT TYPE PCB Through Hole
- MM CONNECTOR TYPE MMCX
F GENDER Female
R ORIENTATION Right Angle



Recommended Mounting Layout



Impedance: 50Ω
 Frequency Range: 0GHz - 6GHz
 Voltage Standing Wave Ratio (VSWR): 1.5 MAX
 Working Voltage: 170 Vrms MAX
 Dielectric Withstanding Voltage: 500 Vrms MIN
 Operating Temperature: -55°C to 85°C
 Storage Temperature: -60°C to 165°C
 Center Contact Resistance: 6 mΩ MAX
 Outer Contact Resistance: 2.5 mΩ MAX
 Insulation Resistance: 1000 mΩ MIN



MMCX PCB MOUNT FEMALE RIGHT ANGLE CONNECTOR

Document History				Part No.	Drawn
Edits Made	Date	Edited By	Approved By		
Initial Release	02/02/2021	B. Gibbons	KH Mun	Scale	Tolerance
				Unit	Pages
				mm	1/1