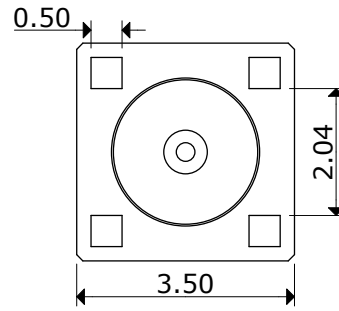
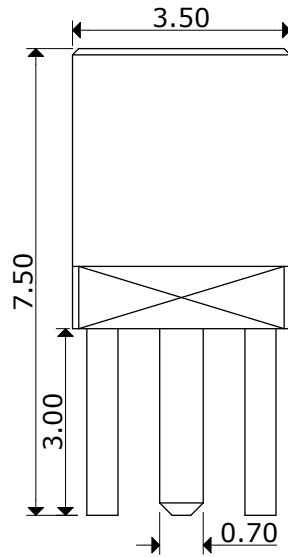
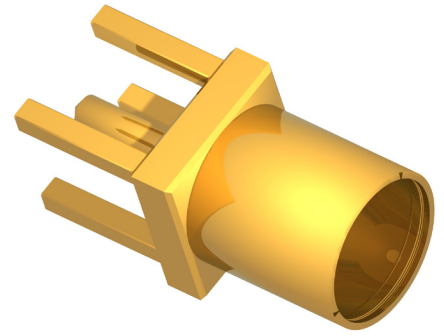
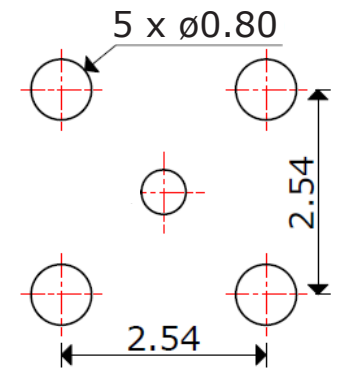


# SUNTSU SCNRFRF - 6A AP - MMFS

**SUNTSU**  
**CONNECTOR**  
**RF**  
**MAXIMUM FREQUENCY**  
 6 GHz  
**IMPEDANCE**  
 50Ω  
**MOUNT TYPE**  
 PCB  
 Through Hole  
**CONNECTOR TYPE**  
 MMCX  
**GENDER**  
 Female  
**ORIENTATION**  
 Straight



## Recommended Mounting Layout



Impedance: 50Ω  
 Frequency Range: 0GHz - 6GHz  
 Voltage Standing Wave Ratio (VSWR): 1.5 MAX  
 Working Voltage: 170 Vrms MAX  
 Dielectric Withstanding Voltage: 500 Vrms MIN  
 Operating Temperature: -55°C to 85°C  
 Storage Temperature: -60°C to 165°C  
 Center Contact Resistance: 6 mΩ MAX  
 Outer Contact Resistance: 2.5 mΩ MAX  
 Insulation Resistance: 1000 mΩ MIN



MMCX PCB MOUNT FEMALE STRAIGHT CONNECTOR

### Document History

Edits Made	Date	Edited By	Approved By
Initial Release	02/02/2021	B. Gibbons	KH Mun

Part No.	SCNRF-6AAP-MMFS
Scale	Not drawn to scale
Unit	mm

Drawn	B. Gibbons	02/02/2021
Tolerance		
Pages		