

S CN RF - 6A AP - SA F S

SUNTSU

CONNECTOR

RF

MAXIMUM FREQUENCY
6 GHz

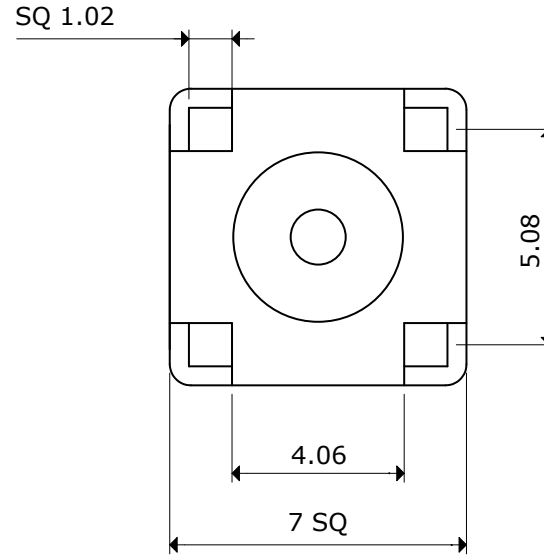
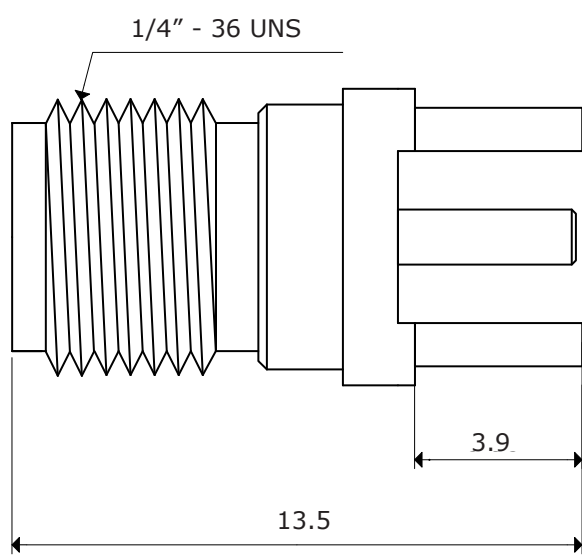
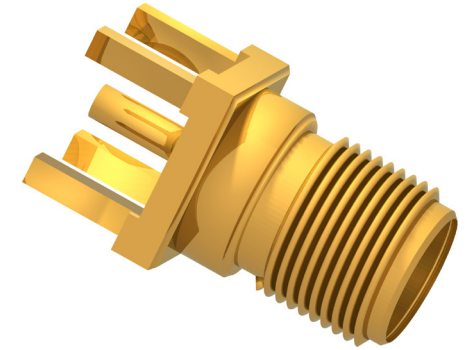
IMPEDANCE
50Ω

MOUNT TYPE
PCB
Through Hole

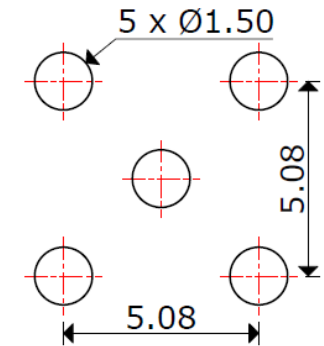
CONNECTOR TYPE
SMA

GENDER
Female

ORIENTATION
Straight



Recommended Mounting Layout



Impedance: 50Ω

Frequency Range: 0GHz - 6GHz

Voltage Standing Wave Ratio (VSWR): 1.5 MAX

Working Voltage: 170 Vrms MAX

Dielectric Withstanding Voltage: 500 Vrms MAX

Operating Temperature: -55°C to 85°C

Storage Temperature: -60°C to 165°C

Center Contact Resistance: 3 mΩ MAX

Outer Contact Resistance: 2 mΩ MAX

Insulation Resistance: 2000 mΩ MIN



SMA PCB MOUNT FEMALE STRAIGHT CONNECTOR

Document History

Edits Made	Date	Edited By	Approved By
Initial Release	02/02/2021	B. Gibbons	KH Mun

Part No.	SCNRF-6AAP-SAFS
Scale	Not drawn to scale
Unit	mm

Drawn	B. Gibbons	02/02/2021
Tolerance		
Pages		