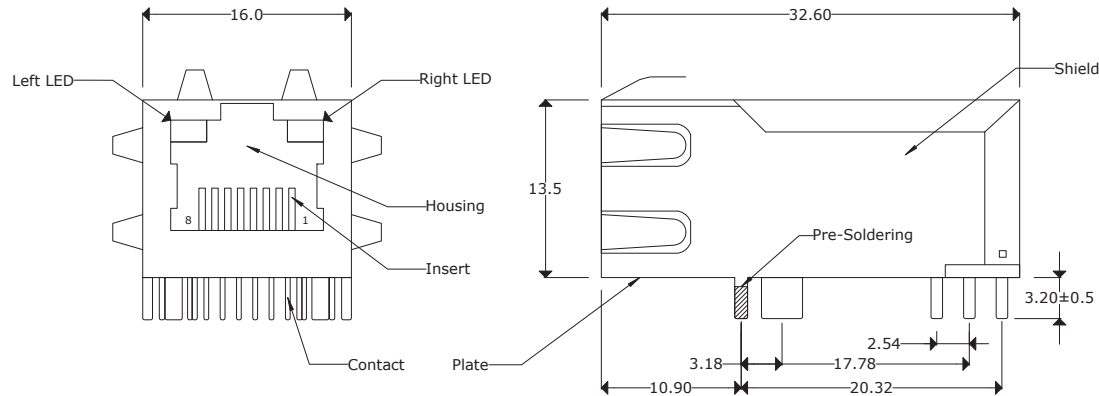
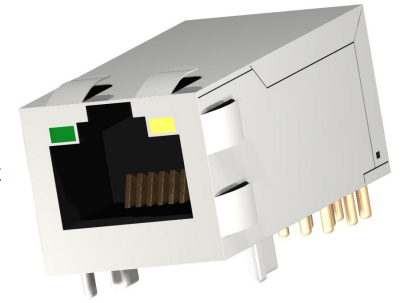
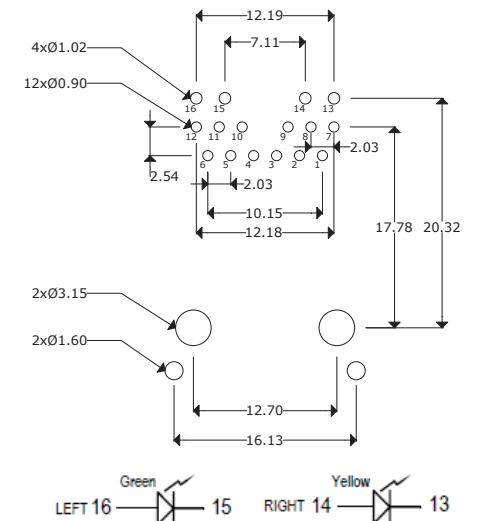


SCNRJ-1212GGMSEGY-073FSORTH

SUNTSU **RJ45** **CONTACTS** 12:12 **MAGENETIC** M: With **EMI Finger** E: With **OPERATING TEMP** 07: 0~70°C **CONTACT TERMINATION** SO: SOLDER **MOUNTING STYLE** RTH: Right Angle Through Hole
CONNECTOR **POSITIONS** 12:12 **CONTACT PLATING** GG: 6u" Gold Plating **SHIELD** S: With **LED COLOR** GY: Left - Green Right - Yellow **HEIGHT** 3F: 13.5mm



PC Board Layout

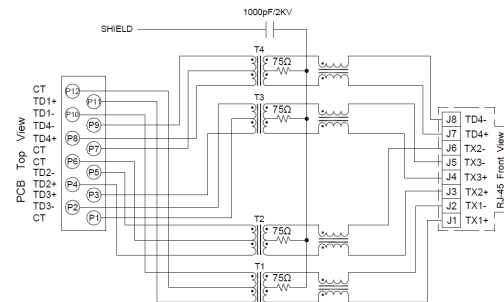


Electrical Parameters

Turn Ratio(±5%): 1CT:1CT
 Inductance(100KHz/0.1V@8mA): 350uH MIN
 Insertion Loss(dB MAX): -0.8dB(0.3-100MHz), -1.2dB(100-125MHz)
 Return Loss(dB MIN): -18dB(0.5-40MHz),
 -12+20log(f/80MHz)dB(40-100MHz)
 Cross Talk(dB MIN): -33+20log(f/100MHz)dB(1-100MHz)
 CMR(dB MIN): -35dB(0.3-100MHz)
 HI-POT(Pri to Sec): 1500Vrms/0.5mA/60sec or 1650Vrms/0.5mA/2Sec

Materials

Housing: Nylon 66 UL94V-0 Standard color Black
 Insert: Phos-Bronze C5210 EH---0.35 Thickness
 Insert: PBT GF UL94V-0
 Insert Plating: (1) Nickel (2) 100% Sn (3) Gold (6u")
 Plate: PBT GF UL 94V-0
 Contact Pin: Phos-Bronze C5191---0.35 Thickness
 Contact Plating: (1) Nickel (2) 100% Sn
 Shielding: Brass C2680 Plating Nickel



Remarks:
 Operating Life: 750 Cycles MIN.

Standard LED	Wavelength	Forward*V(MAX)	TYP
Green	565nm	2.5V	2.2V
Yellow	585nm	2.5V	2.1V

With a forward current of 20mA



1000 BASE-T SINGLE PORT RJ45 Integrated Connector Module

Document History

Edits Made	Date	Edited By	Approved By
Initial Release	10/06/2021	B. Gibbons	KH Mun
Added LED Connection	09/19/2023	B. Gibbons	KH Mun

Part No.	Scale	Unit
SCNRJ-1212GGMSEGY-073FSORTH	Not drawn to scale	mm

Drawn	Tolerance	Pages
B. Gibbons 10/06/2021	Unless otherwise specified, all tolerances are ±0.25	1/1