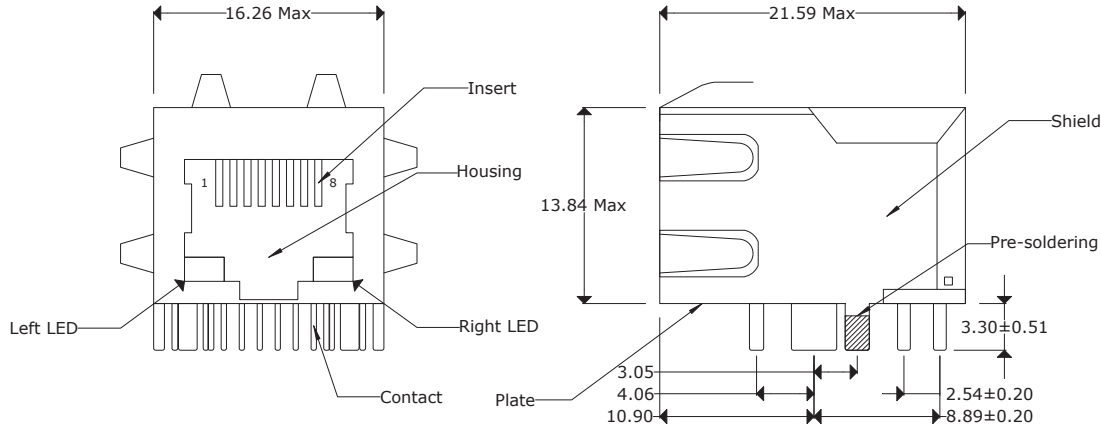
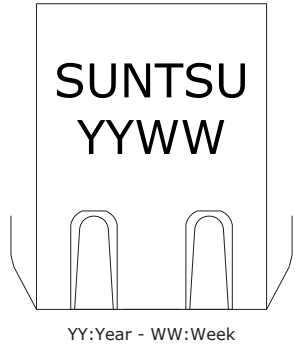
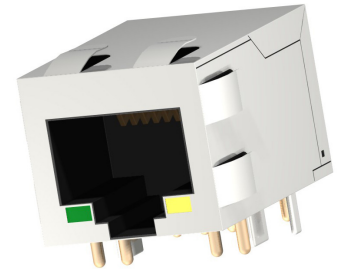
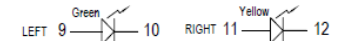
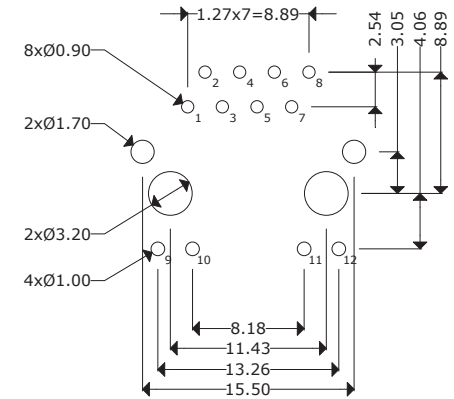


# SCNRJ - 8 8 GG M S E GY - 48 314 SOR TH

**SUNTSU**      **RJ45**      **CONTACTS** 8:8      **MAGNETIC** M: With      **EMI Finger** E: With      **OPERATING TEMP** 48: -40~85°C      **CONTACT TERMINATION** SO: SOLDER  
**CONNECTOR**      **POSITIONS** 8:8      **CONTACT PLATING** GG: 6u" Gold Plating      **SHIELD** S: With      **LED COLOR** GY: Left - Green Right - Yellow      **HEIGHT** 314: 13.84mm      **MOUNTING STYLE** RTH: Right Angle Through Hole



## PC Board Layout



Standard LED	Wavelength	Forward*V(MAX)	TYP
Green	565nm	2.5V	2.2V
Yellow	585nm	2.5V	2.1V

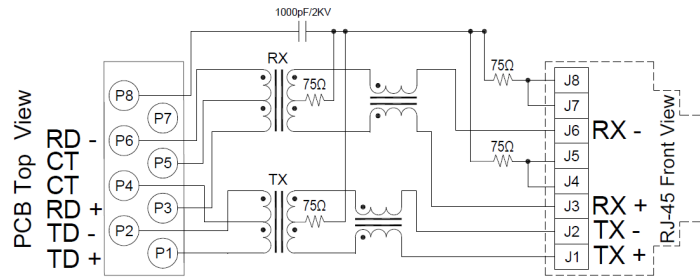
With a forward current of 20mA

## Electrical Parameters

Turn Ratio(±5%): 1CT:1CT  
 Inductance(100KHz/0.1V@8mA): 350uH MIN@0°C~70°C  
 Insertion Loss(dB MAX): -1.0dB(0.3-100MHz)  
 Return Loss(dB MIN): -18dB(1-30MHz), -16dB(40MHz), -14dB(50MHz), -10dB(60-80MHz)  
 Cross Talk(dB MIN): -40dB(30MHz), -35dB(60MHz), -30dB(100MHz)  
 CMR(dB MIN): -30dB(30MHz), -20dB(60MHz), -20dB(100MHz)  
 HI-POT(Pri to Sec): 1500Vrms/0.5mA/60sec or 1650Vrms/0.5mA/2Sec

## Materials

Housing: Nylon 66 UL94V-0 Standard color Black  
 Insert: Phos-Bronze C5210 EH---0.35 Thickness  
 Insert: PBT GF UL94V-0  
 Insert Plating: (1) Nickel (2) 100% Sn (3) Gold (6u")  
 Plate: PBT GF UL 94V-0  
 Contact Pin: Phos-Bronze C5191---0.35 Thickness  
 Contact Plating: (1) Nickel (2) 100% Sn  
 Shielding: Brass C2680 Plating Nickel



Remarks:  
 Operating Life: 750 Cycles MIN.



10/100 BASE-T SINGLE PORT RJ-45 JACK MAGNETICS

Document History			
Edits Made	Date	Edited By	Approved By
Initial Release	10/06/2021	B. Gibbons	KH Mun
Added LED Connections	09/16/2023	B. Gibbons	KH Mun

Part No.	SCNRJ-88GGMSEGY-48314SOR TH	Drawn	B. Gibbons
Scale	Not drawn to scale	Tolerance	Unless otherwise specified, all tolerances are ±0.25
Unit	mm	Pages	1/1