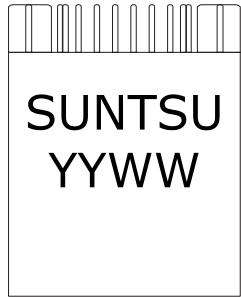
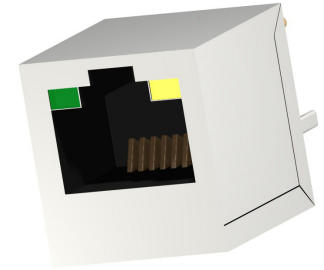
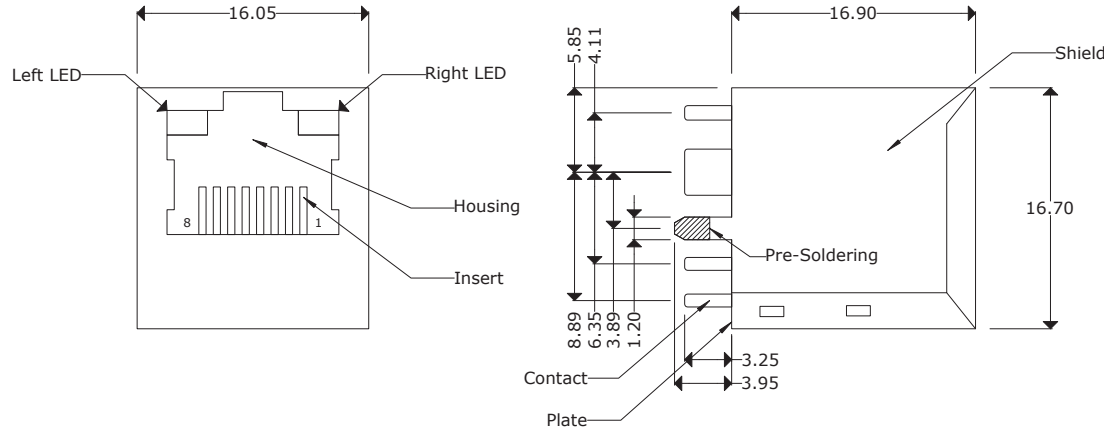


# SCN RJ - 8 8 GG M S N GY - 07 6H SO VTH

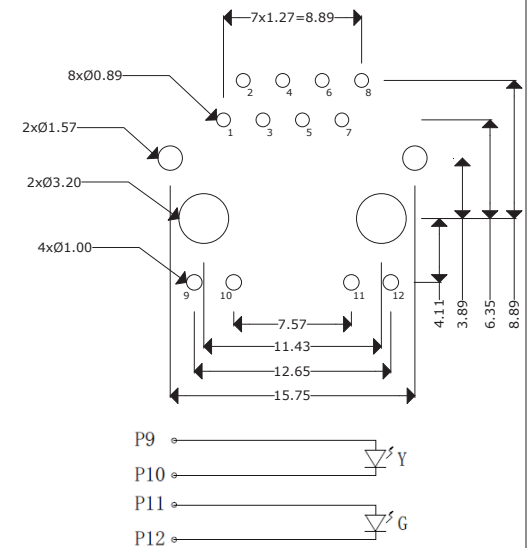
**SUNTSU**      **RJ45**  
**CONNECTOR**  
**POSITIONS** 8 : 8      **CONTACTS** 8 : 8  
**CONTACT PLATING** GG : 6u" Gold Plating  
**MAGNETIC** M : With      **EMI Finger** N : None  
**SHIELD** S : With      **LED COLOR** GY : Left - Green Right - Yellow  
**OPERATING TEMP** 07 : 0~70°C      **CONTACT TERMINATION** SO : SOLDER  
**HEIGHT** 6H : 16.7mm      **MOUNTING STYLE** VTH : Vertical Through Hole



YY:Year - WW:Week



## PC Board Layout

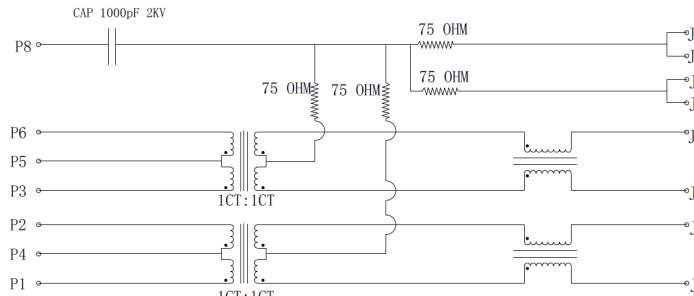


### Electrical Parameters

Turn Ratio(±5%): 1CT:1CT  
 Pri Inductance(100KHz/0.1V@8mA): 350uH MIN  
 DCR(J1-J2,J3-J6): 1.2Ω MAX  
 Insertion Loss(dB MAX): -1.2dB(1-100MHz)  
 Return Loss(dB MIN): -16dB(1-30MHz), -12dB(30-60MHz), -10dB(60-80MHz)  
 Cross Talk(dB MIN): -30dB(1-100MHz)  
 CMR(dB MIN): -30dB(1-100MHz)  
 HI-POT(Pri to Sec): 2250VDC

### Materials

Housing: Nylon 66 UL94V-0 Standard color Black  
 Insert: Phos-Bronze C5210 EH--0.35 Thickness  
 Insert Plating: (1) Nickel (2) 100% Sn (3) Gold (6u")  
 Plate: PBT GF UL 94V-0  
 Contact Pin: Copper Alloy  
 Contact Plating: 6u" Gold Plating  
 Shielding: Brass C2680 Plating Nickel



Remarks:  
 Operating Life: 750 Cycles MIN.

Standard LED	Wavelength	Forward*V(MAX)	TYP
Green	565nm	2.5V	2.2V
Yellow	585nm	2.5V	2.1V

With a forward current of 20mA



180° 10/100 BASE-T SINGLE PORT RJ45 JACK MAGNETICS

### Document History

Edits Made	Date	Edited By	Approved By
Initial Release	05/16/2022	B. Gibbons	KH Mun
Added LED Connection	09/19/2023	B. Gibbons	KH Mun

Part No.	SCN RJ-88GGMSNGY-076HSOVTH
Scale	Not drawn to scale
Unit	mm

Drawn	B. Gibbons	10/06/2021
Tolerance	Unless otherwise specified, all tolerances are ±0.25	
Pages	1/1	