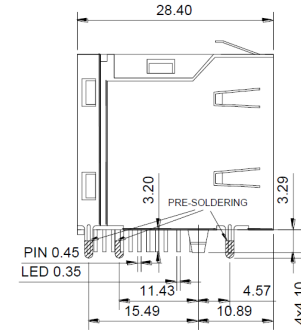
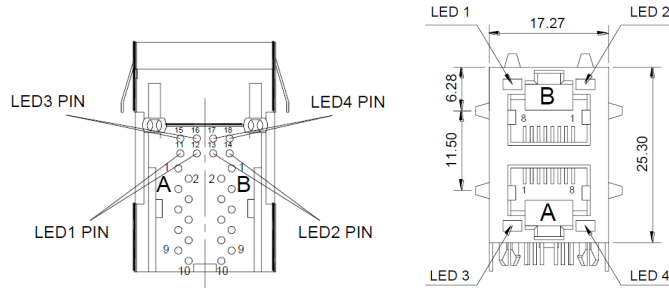
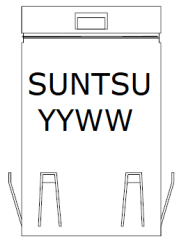
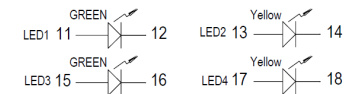
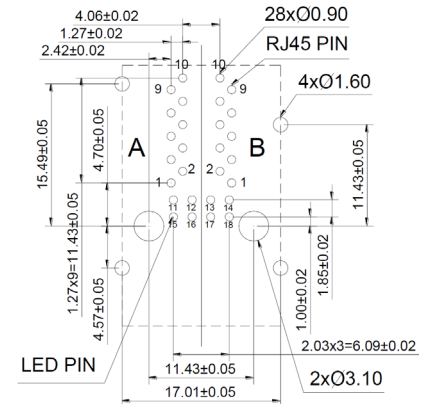


# SCNRS - 21GGOSEGY - 4825DSOR TH

- SUNTSU**
- RJ45**  
RS : Combo Stack
- COLUMN**  
1:1
- MAGENETIC**  
O : 1G/100M/10M
- EMI Finger**  
E : With
- OPERATING TEMP**  
48 : -40~85°C
- CONTACT TERMINATION**  
SO : SOLDER
- CONNECTOR**
- ROW**  
2 : 2
- CONTACT PLATING**  
GG : 6u" Gold Plating
- SHIELD**  
S : With
- LED COLOR**  
GY : Left - Green  
Right - Yellow
- HEIGHT**  
25D : 25.3mm
- MOUNTING STYLE**  
RTH : Right Angle  
Through Hole



## PC Board Layout



### Electrical Parameters : Port A

- Voltage Rating: 125 VAC RMS
- Current Rating: 1.5 AMP
- Contact Resistance: 45mΩ Max
- Insulation Resistance: 1000MΩ MIN@500 VDC
- Dielectric Strength: 500 VAC RMS 60Hz, 1 Min

### Electrical Parameters : Port B

- Turn Ratio(±5%): 1CT:1CT
- OCL(100KHz/0.1V@8mA): 350μH Min.
- Insertion Loss (dB Max): -1dB (1MHz-125MHz)
- Return Loss (dB Min): -16dB(1-30MHz), -13.5dB(30-60MHz), -10dB(60-80MHz), -8dB(80-100MHz)

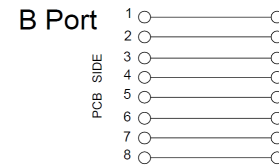
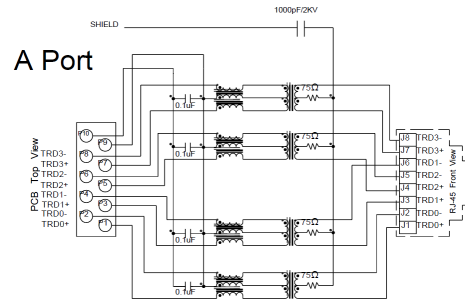
Cross Talk (dB Min): -30dB (1-100MHz)

CMR (dB Min): -30dB (1-100MHz)

Hi-Pot (Pri to Sec): 2250Vdc

### Materials

- Housing: Nylon 66 UL94V-0 Standard color, Black
- Insert: Phos-Bronze C5210 EH--0.35mm Thickness
- Insert: PBT GF UL94V-0
- Insert Plating: (1) Nickel (2) 100% Sn (3) Gold (6u")
- Contact Pin: Nylon GF UL94V-0---0.30mm Thickness
- Contact Plating: 100% Sn
- Shielding: Brass C2680 Plating Nickel



Remarks:  
Operating Life: 750 Cycles MIN.

Standard LED	Wavelength	Forward*V(MAX)	TYP
Green	565nm	2.5V	2.2V
Yellow	585nm	2.5V	2.1V

With a forward current of 20mA



1G/100M/10M COMBO STACK  
RJ45 JACK MAGNETICS

Document History			
Edits Made	Date	Edited By	Approved By
Initial Release	01/05/2024	B. Gibbons	KH Mun

Part No.	SCNRS-21GGOSEGY-4825DSOR TH	Drawn	B. Gibbons 01/05/2024
Scale	Not drawn to scale	Tolerance	Unless otherwise specified, all tolerances are ±0.25
Unit	mm	Pages	1/1