

SCNRS - 21SGTSEGY - 4825D SORRH

SUNTSU
CONNECTOR

RJ45
RS: Combo Stack

COLUMN
1:1

MAGNETIC
T: 10G Port

EMI Finger
E: With

OPERATING TEMP
48: -40~85°C

CONTACT TERMINATION
SO: SOLDER

ROW
2:2

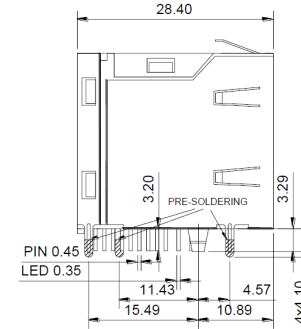
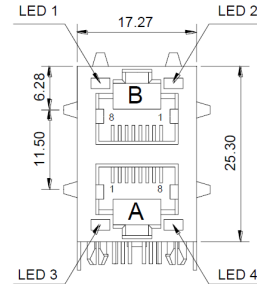
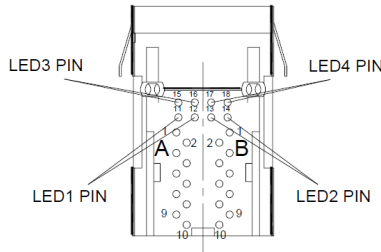
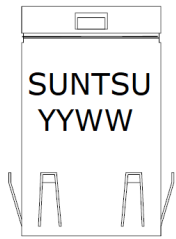
CONTACT PLATING
SG: Selective Gold

SHIELD
S: With

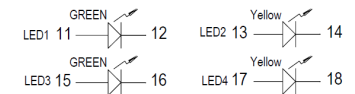
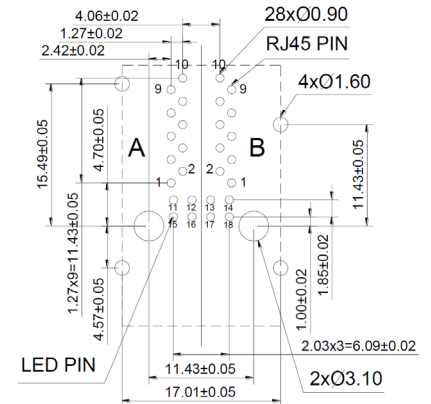
LED COLOR
GY: Left - Green
Right - Yellow

HEIGHT
25D: 25.3mm

MOUNTING STYLE
RTH: Right Angle
Through Hole



PC Board Layout



Electrical Parameters : Port A

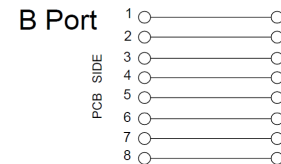
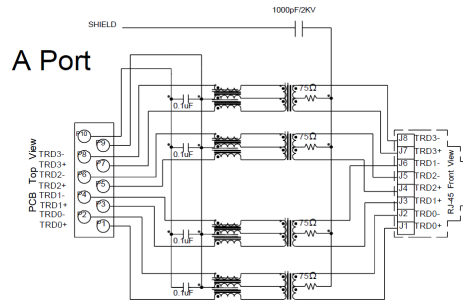
Voltage Rating: 125 VAC RMS
Current Rating: 1.5 AMP
Contact Resistance: 45mΩ Max
Insulation Resistance: 1000MΩ MIN@500 VDC
Dielectric Strength: 500 VAC RMS 60Hz, 1 Min

Electrical Parameters : Port B

Turn Ratio(±5%): 1CT:1CT
OCL(100KHz/0.1V@8mA): 180μH Min.
Insertion Loss (dB Max): -3.0dB (1MHz-400MHz)
Return Loss (dB Min): -22dB(1-100MHz),
-22+20.75Log(f/100MHz)dB(100-500MHz)
Cross Talk (dB Min): -34dB (1MHz), -23dB(350MHz), -23dB(500MHz)
CMR (dB Min): -34dB (1MHz), -23dB(350MHz), -23dB(500MHz)
Hi-Pot (Pri to Sec): 2250Vdc

Materials

Housing: Nylon 66 UL94V-0 Standard color, Black
Insert: Phos-Bronze C5210 EH--0.35mm Thickness
Insert: PBT GF UL94V-0
Insert Plating: (1) Nickel (2) 100% Sn (3) Gold (6u"~50u")
Contact Pin: Nylon GF UL94V-0---0.30mm Thickness
Contact Plating: 100% Sn
Shielding: Brass C2680 Plating Nickel



Remarks:
Operating Life: 750 Cycles MIN.

Standard LED	Wavelength	Forward*V(MAX)	TYP
Green	565nm	2.5V	2.2V
Yellow	585nm	2.5V	2.1V

With a forward current of 20mA



10G COMBO STACK RJ45 JACK
MAGNETICS

Document History			
Edits Made	Date	Edited By	Approved By
Initial Release	01/05/2024	B. Gibbons	KH Mun

Part No.	SCNRS-21SGTSEGY-4825DSORRH	Drawn	B. Gibbons 01/05/2024
Scale	Not drawn to scale	Tolerance	Unless otherwise specified, all tolerances are ±0.25
Unit	mm	Pages	1/1