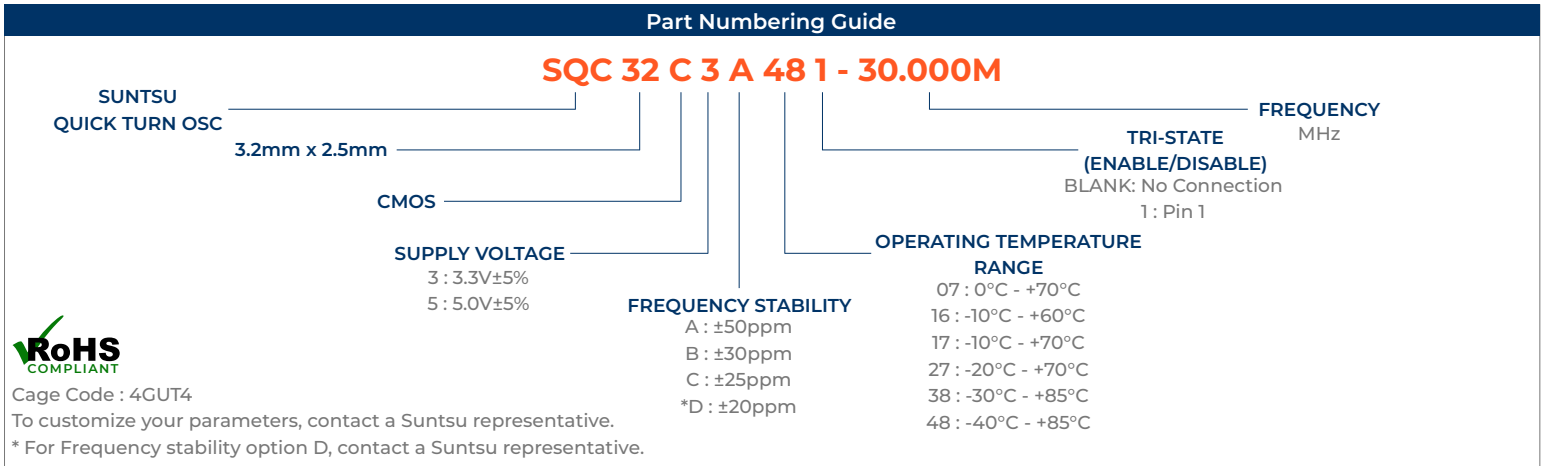
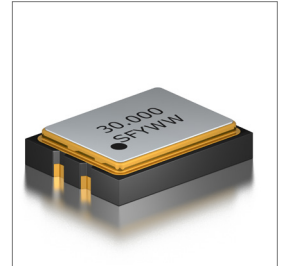


Features
• $\pm 25$ ppm (Frequency Stability) Available
• Ceramic Package 4 Pad
• CMOS
• Programmed Oscillator
• Tape and Reel

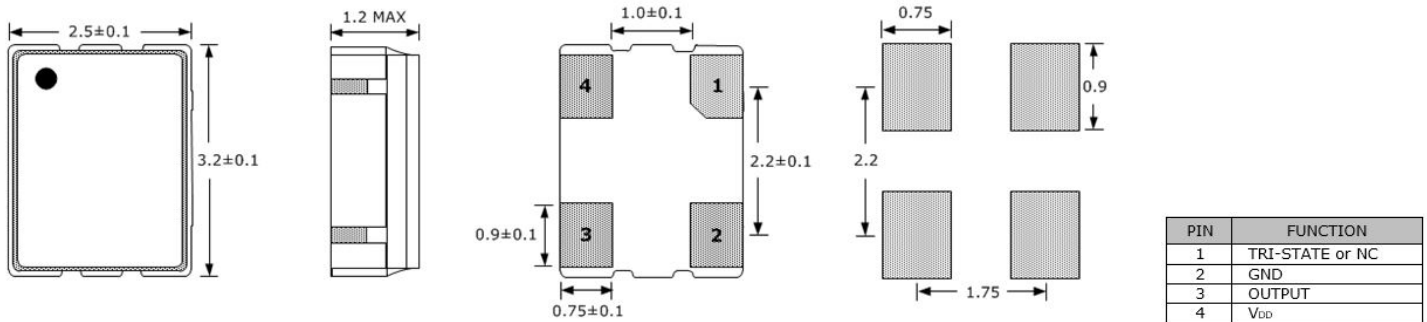
Applications
• Micro Processors
• FPGA
• Storage Area/Networking
• Digital Video
• Portable Computers



Electrical Parameters	Units	Minimum	Typical	Maximum	Remarks
Frequency Range	MHz	1		133	
Frequency Stability (Includes Initial Tolerance at 25°C, Frequency Stability over Operating Temperature, Output Load Change, Supply Voltage Change, and First Year Aging at 25°C.)	ppm	-20		+20	See part numbering guide for options
Operating Temperature	°C	-40		+85	See part numbering guide for options
Storage Temperature	°C	-55		+125	
Supply Voltage (V <sub>DD</sub> ) - 3.3V option	V	3.135	3.3	3.465	
Supply Voltage (V <sub>DD</sub> ) - 5.0V option	V	4.750	5.0	5.250	
Current (I <sub>DD</sub> ) - 3.3V option	mA			25	
Current (I <sub>DD</sub> ) - 5.0V option	mA			45	
Output Load (CMOS)	pF			15	
Output Logic Levels High (V <sub>OH</sub> )	V	0.9*V <sub>DD</sub>			
Output Logic Levels Low (V <sub>OL</sub> )	V			0.1*V <sub>DD</sub>	
Rise (TR) and Fall (TF) Time	ns			4	
Symmetry (Duty Cycle)	%	45	50	55	
Tri-State Input Voltage(3.3V) - Enable	V	0.7*V <sub>DD</sub>			No Connection
Tri-State Input Voltage(3.3V) - Disable	V			0.3*V <sub>DD</sub>	
Tri-State Input Voltage(5.0V) - Enable	V	2.0			No Connection
Tri-State Input Voltage(5.0V) - Disable	V			0.8	
Start-Up Time	ms			10	
Phase Jitter (12kHz ~ 20MHz)	ps			11	

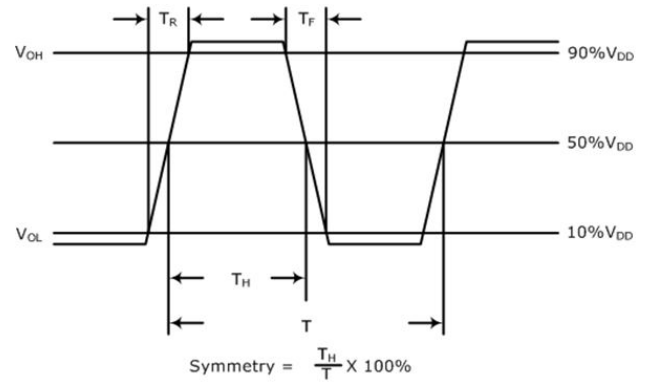
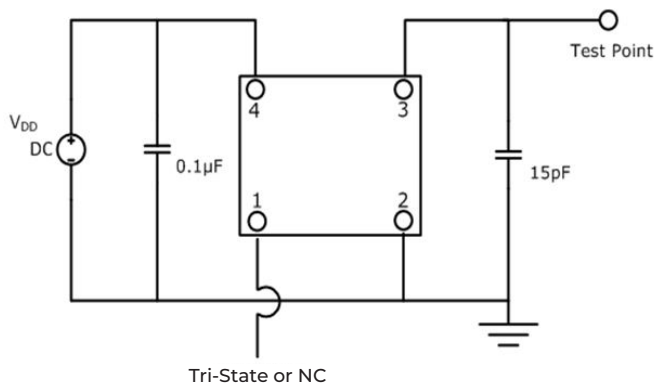
**Outline Drawing & Land Pattern**

All dimensions are in millimeters (mm) unless otherwise noted. Drawings are not to scale.

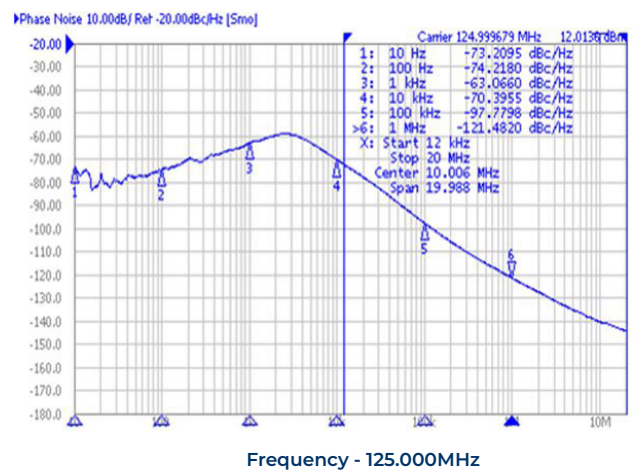
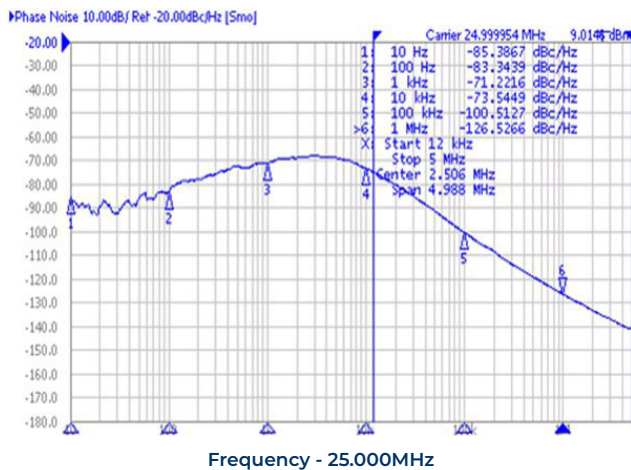


**Test Circuit (CMOS)**

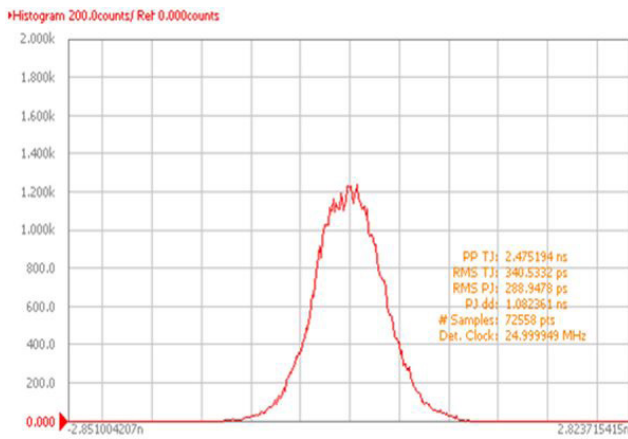
**Waveform (CMOS)**



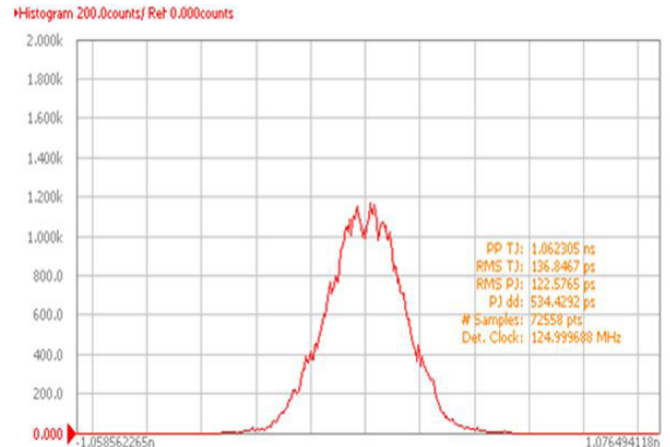
**Typical Phase Noise Performance (Measured By Agilent E5052A)**



### Typical Jitter Performance (Measured By Agilent E5052A)

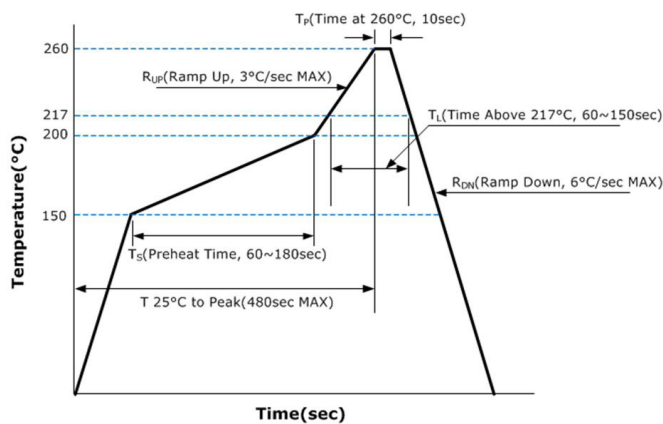


Frequency - 25.000MHz

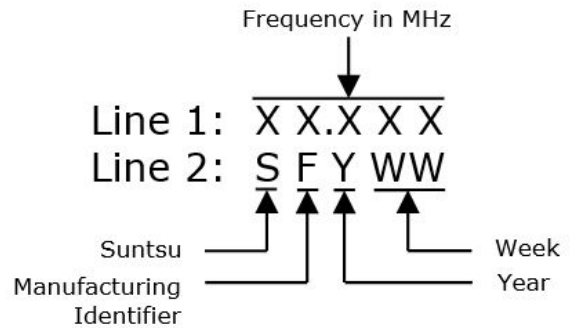


Frequency - 125.000MHz

### Reflow Profile



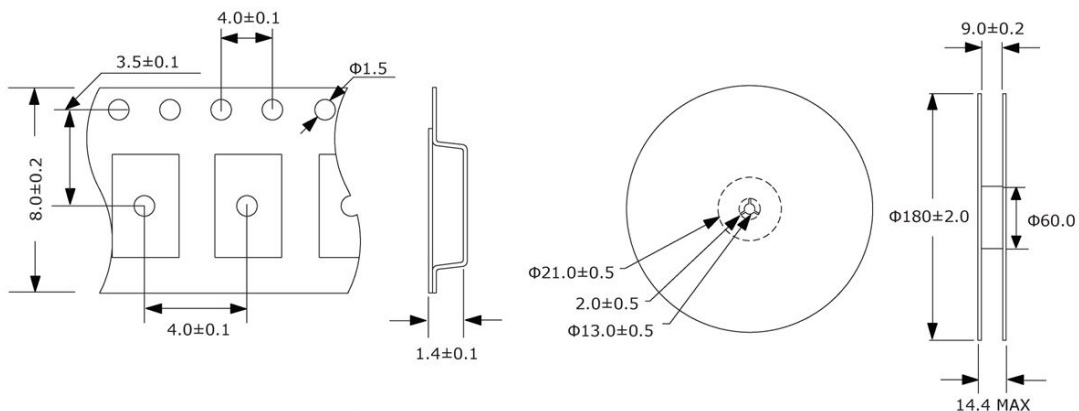
### Part Marking



### Tape And Reel Dimensions

All dimensions are in millimeters (mm) unless otherwise noted. Drawings are not to scale.

1,000pcs/Reel



Environmental Specifications		Mechanical Specifications	
Temperature Cycling	MIL-STD-883, Method 1010, Condition B	Mechanical Shock	MIL-STD-202, Method 213, Condition B
Fine Leak Test	MIL-STD-883, Method 1014, Condition A	Vibration	MIL-STD-883, Method 2007, Condition A
Gross Leak Test	MIL-STD-883, Method 1014, Condition C	Moisture Resistance	MIL-STD-883, Method 1004
Solderability	MIL-STD-883, Method 2003	Resistance to Solvents	MIL-STD-202, Method 215
Moisture Sensitivity	J-STD-020, MSL 1	Resistance to Soldering Heat	MIL-STD-202, Method 210, Condition K